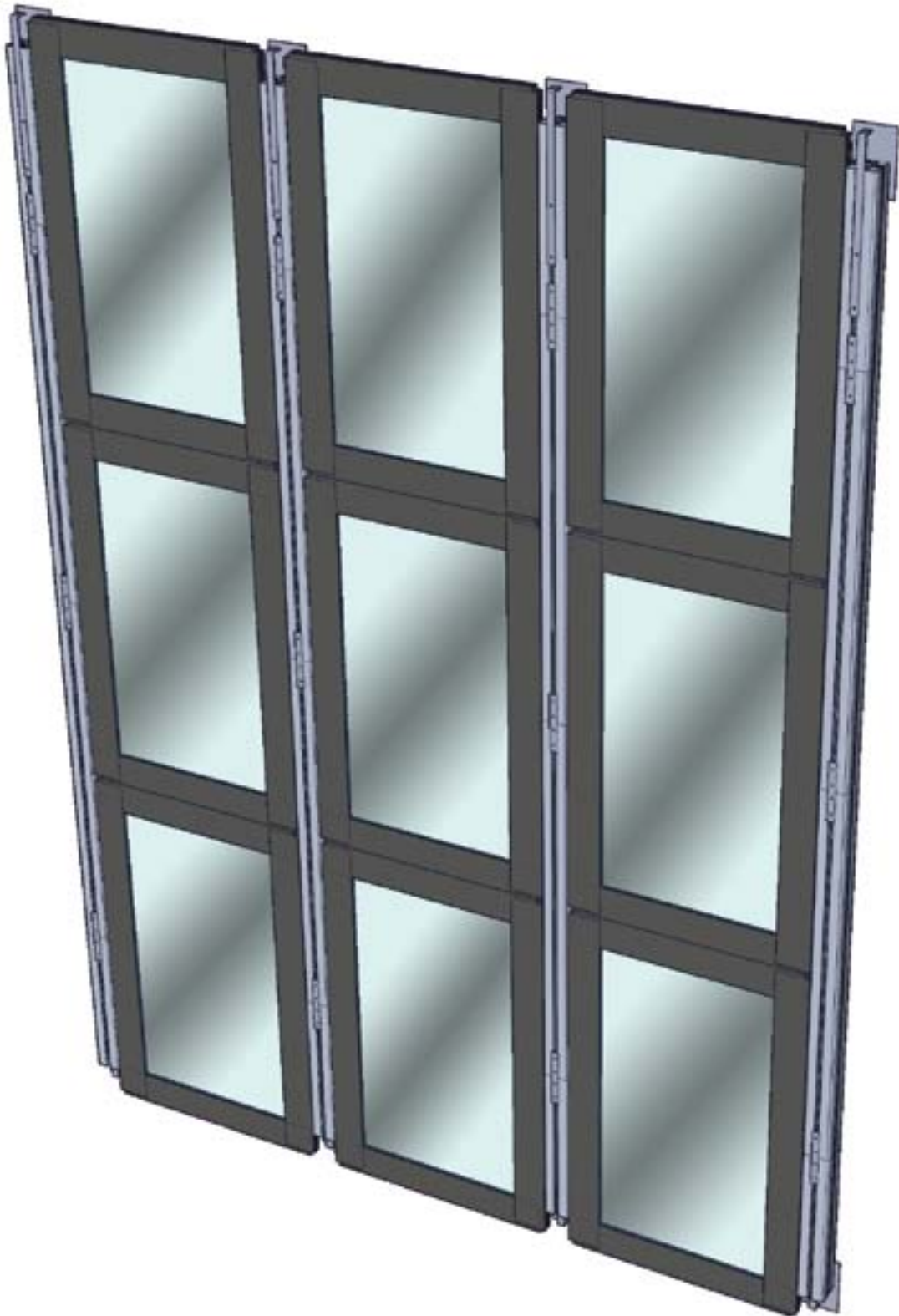




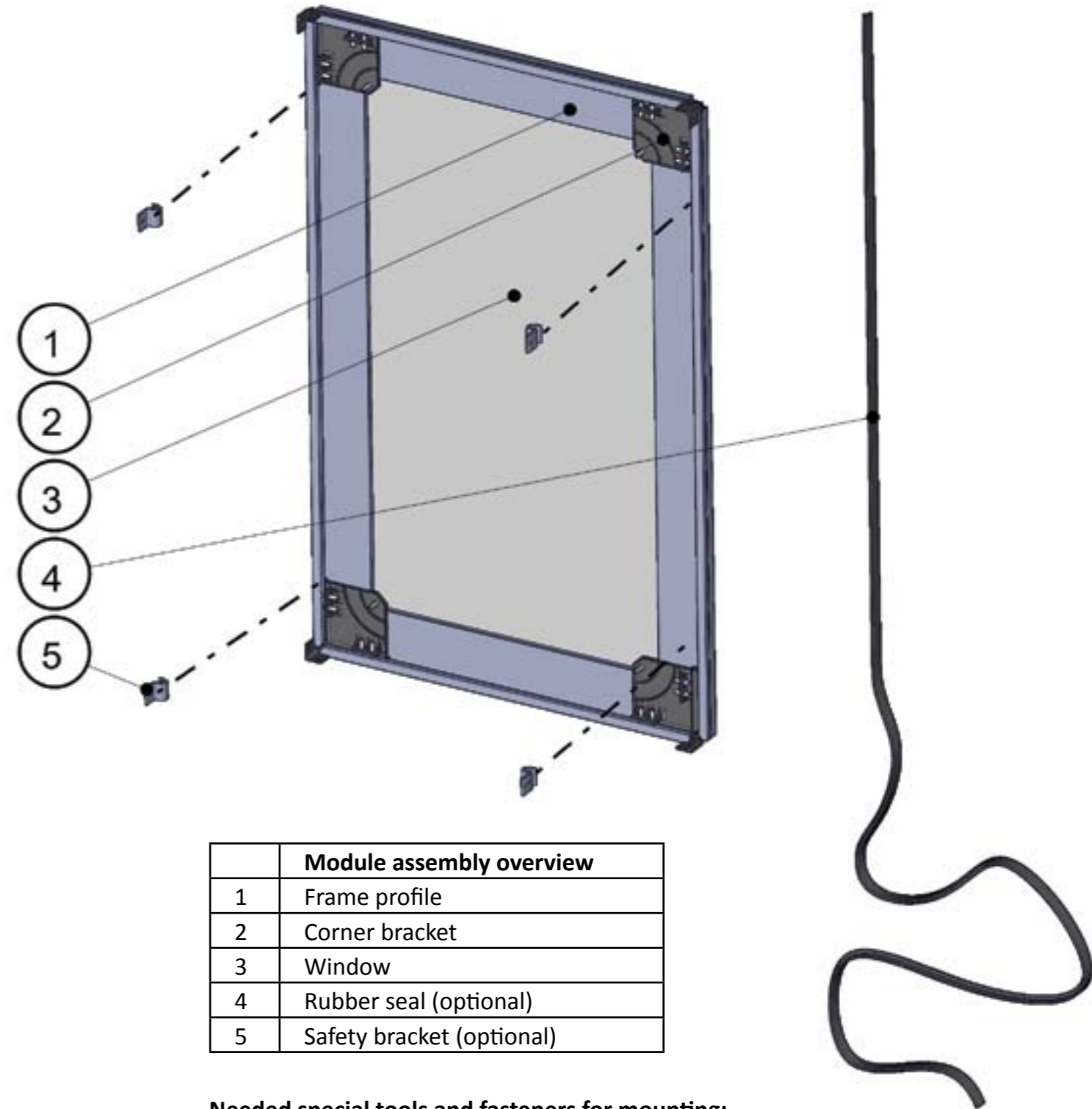
ALTIFLEX TEMPORARY CLOSING SYSTEM *INSTALLATION GUIDE*



CLOSED MODULES

Content

Closed modules 3
 Doors 12
 Modules to open 18
 Module combination 19
 S-profiles 20
 Rooms and houses 23
 Staircase 24
 Safety fence 25
 Gates 28
 Sliding doors 31
 Insulation 32
 Construction site fence 32
 Smoke hatch 33
 Emergency exits 34
 Protection of existing windows 35
 Aluminum facades 36
 Storage tower 37
 First floor security 38
 Dust walls 39
 Module overview 42
 Load dimensioning 43



Module assembly overview	
1	Frame profile
2	Corner bracket
3	Window
4	Rubber seal (optional)
5	Safety bracket (optional)

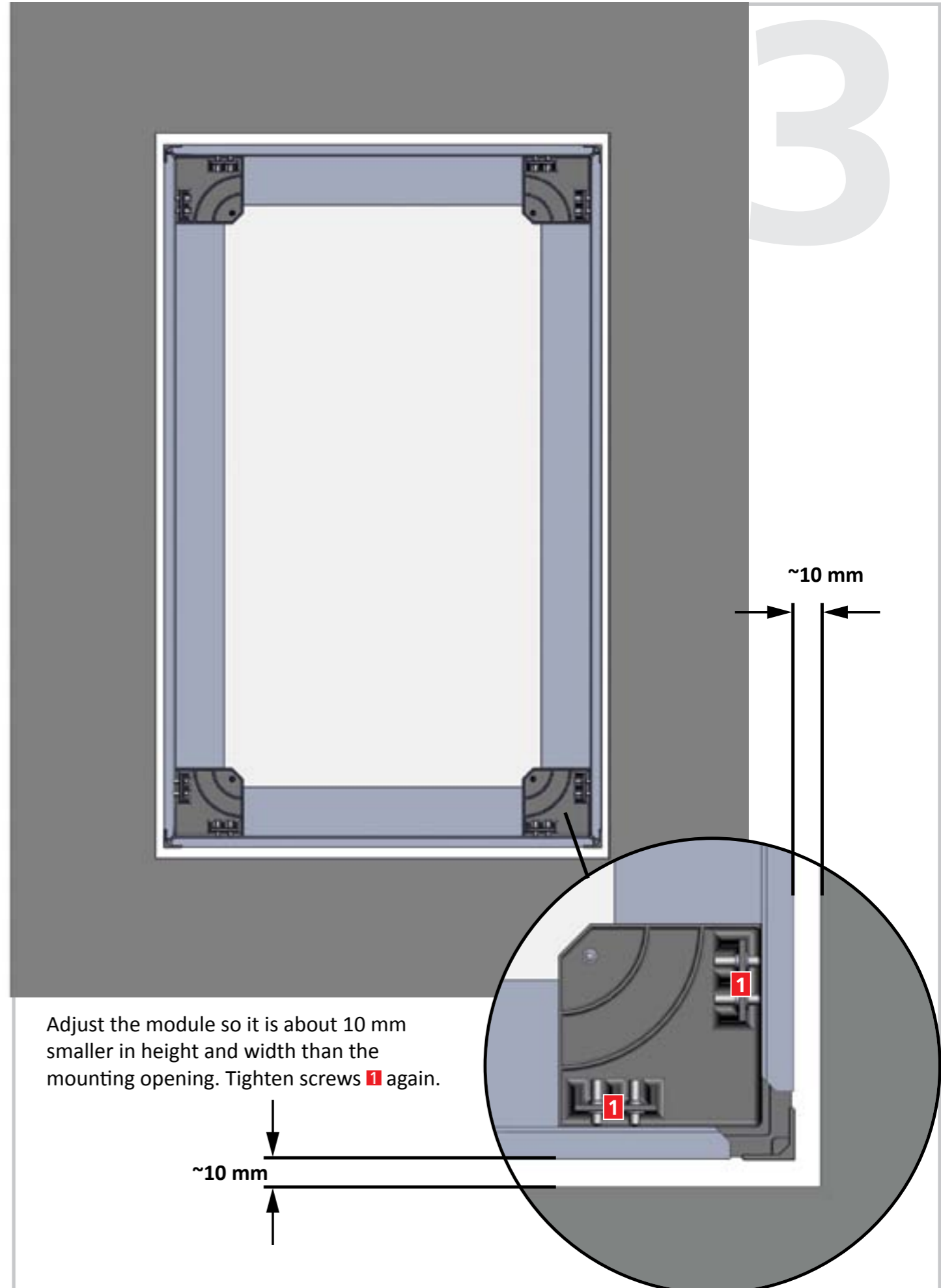
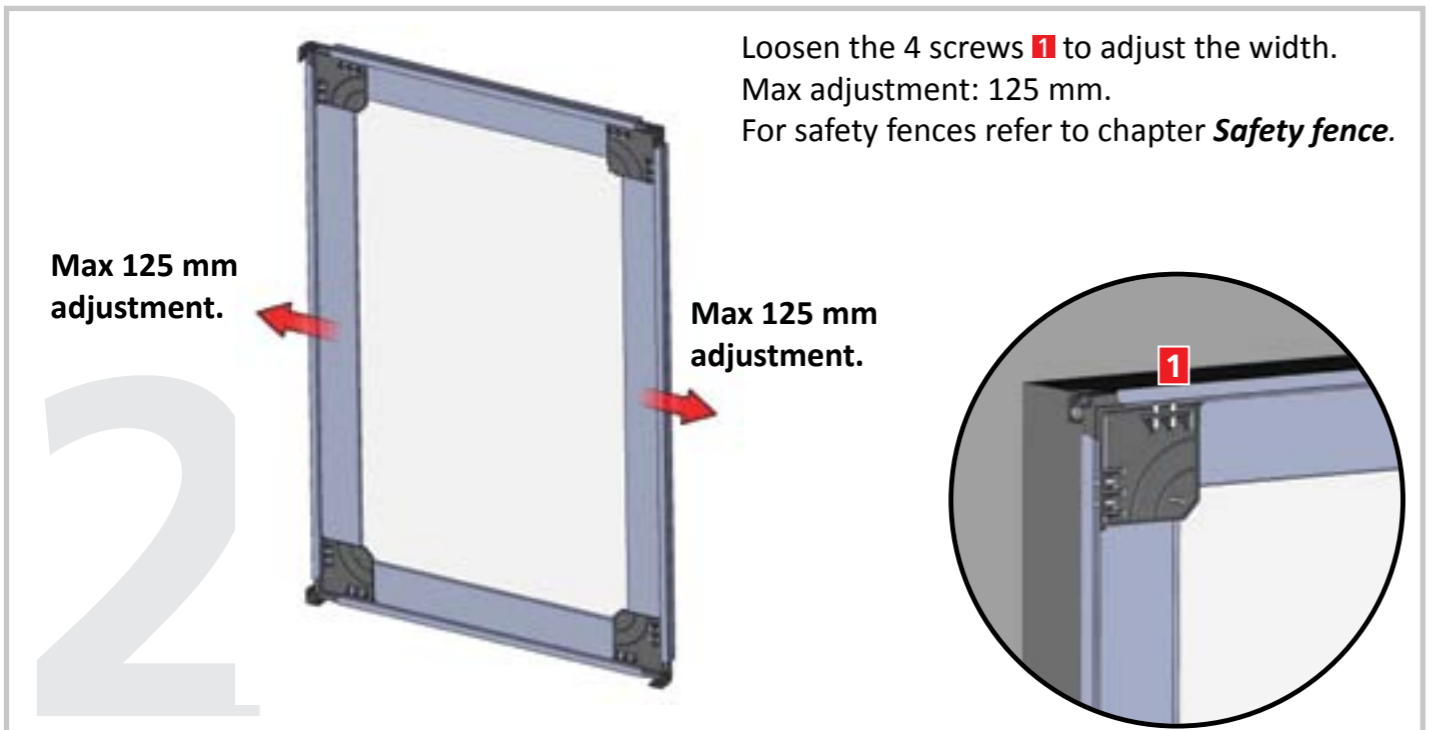
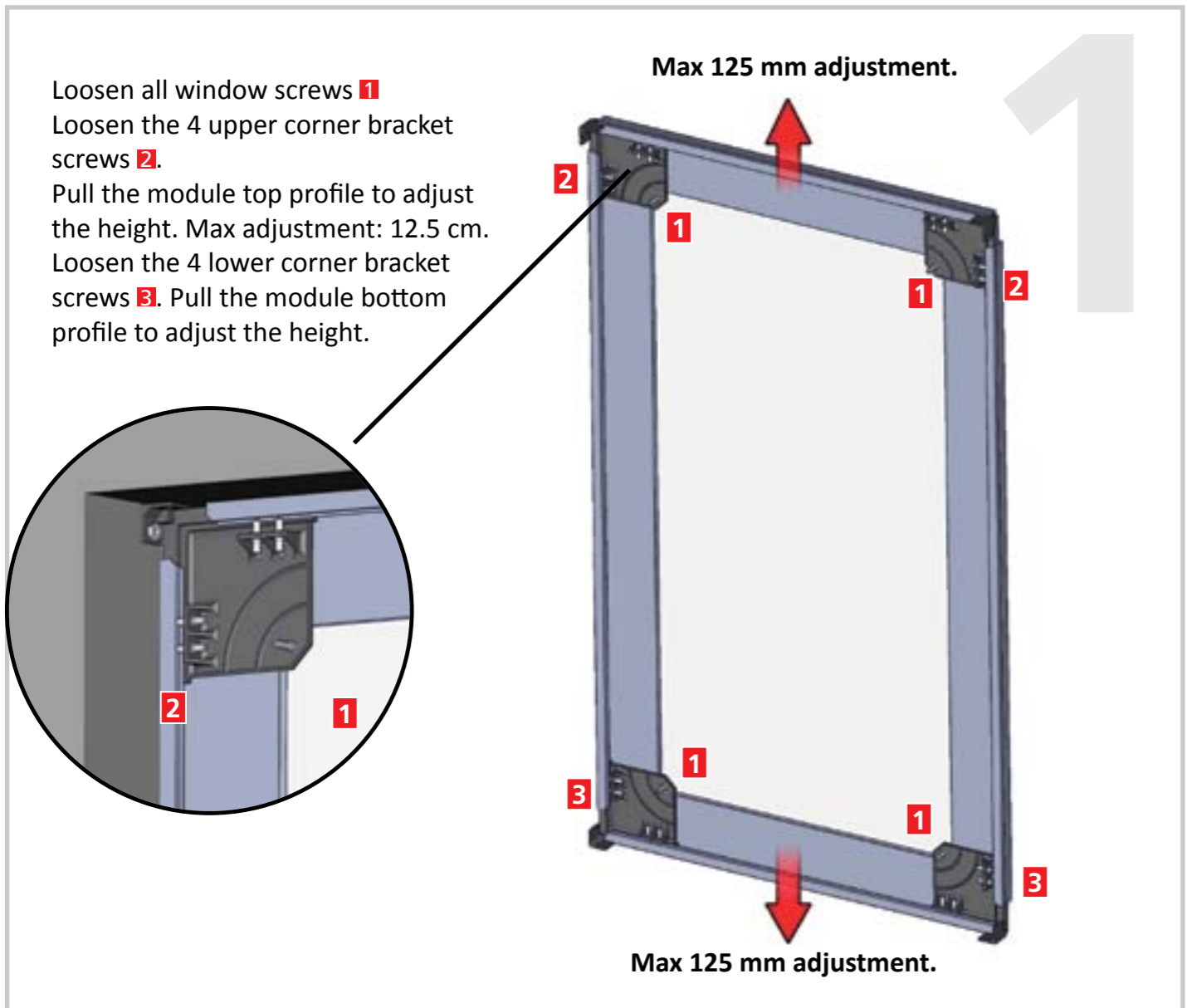
Needed special tools and fasteners for mounting:

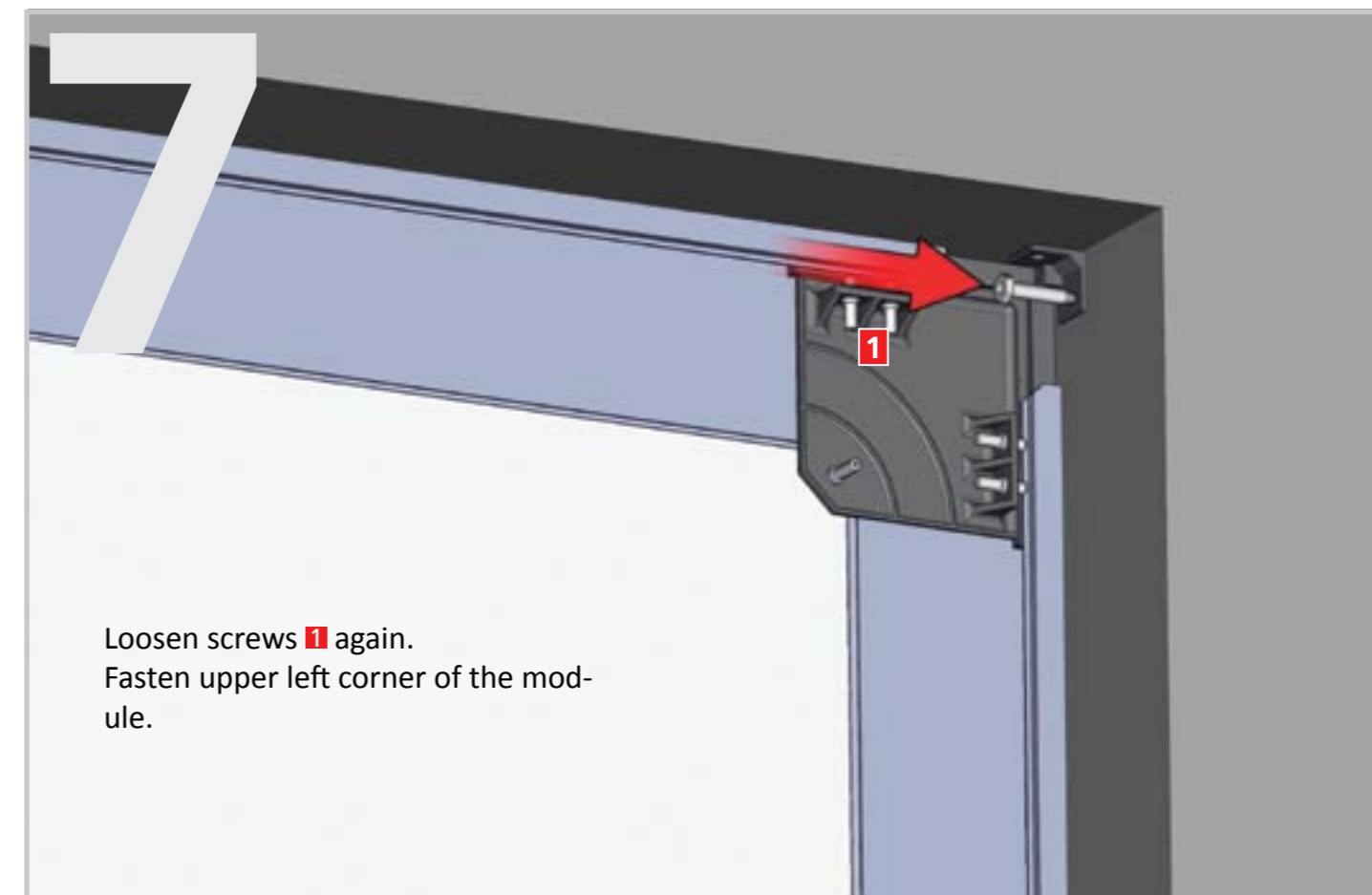
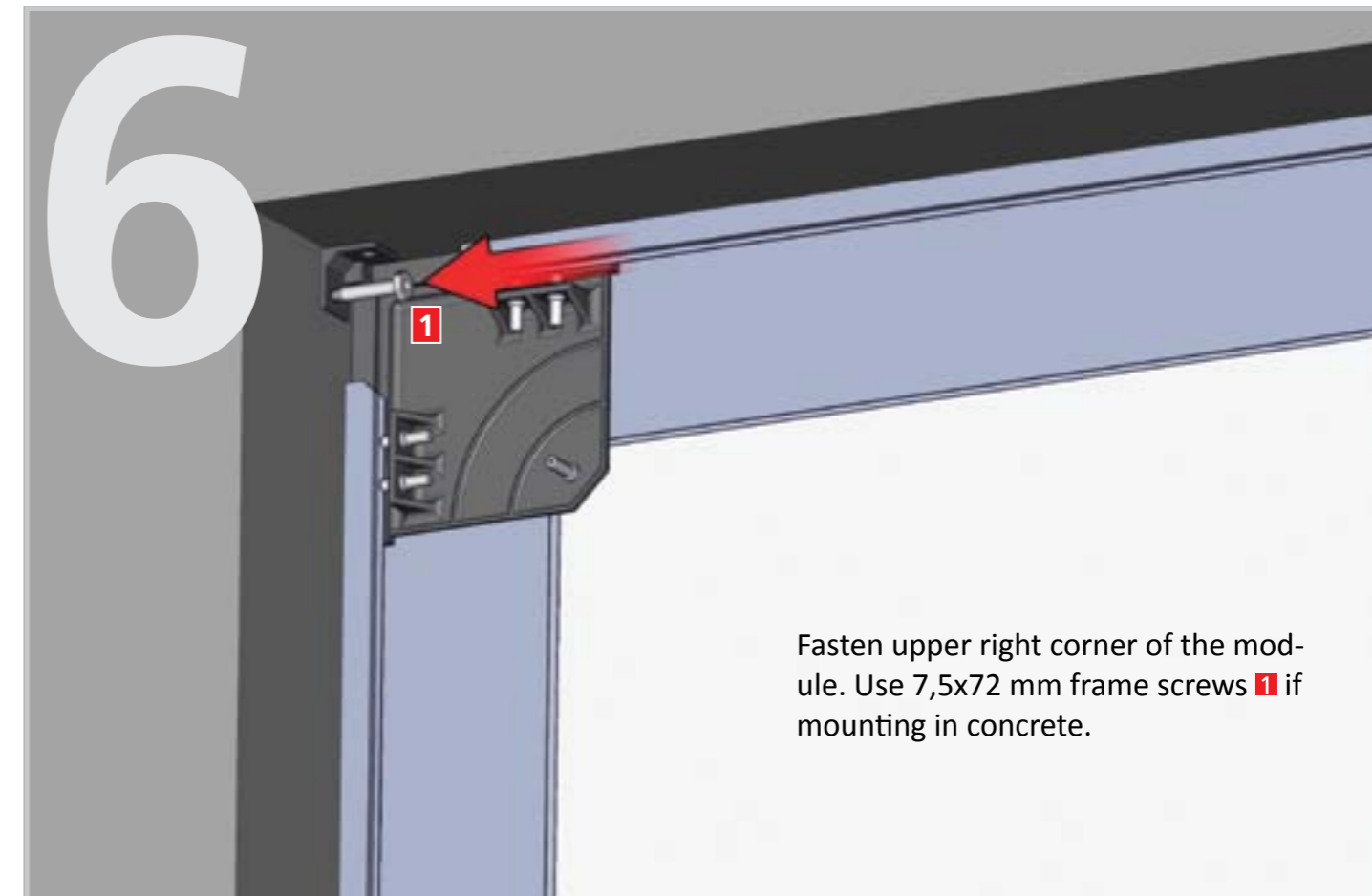
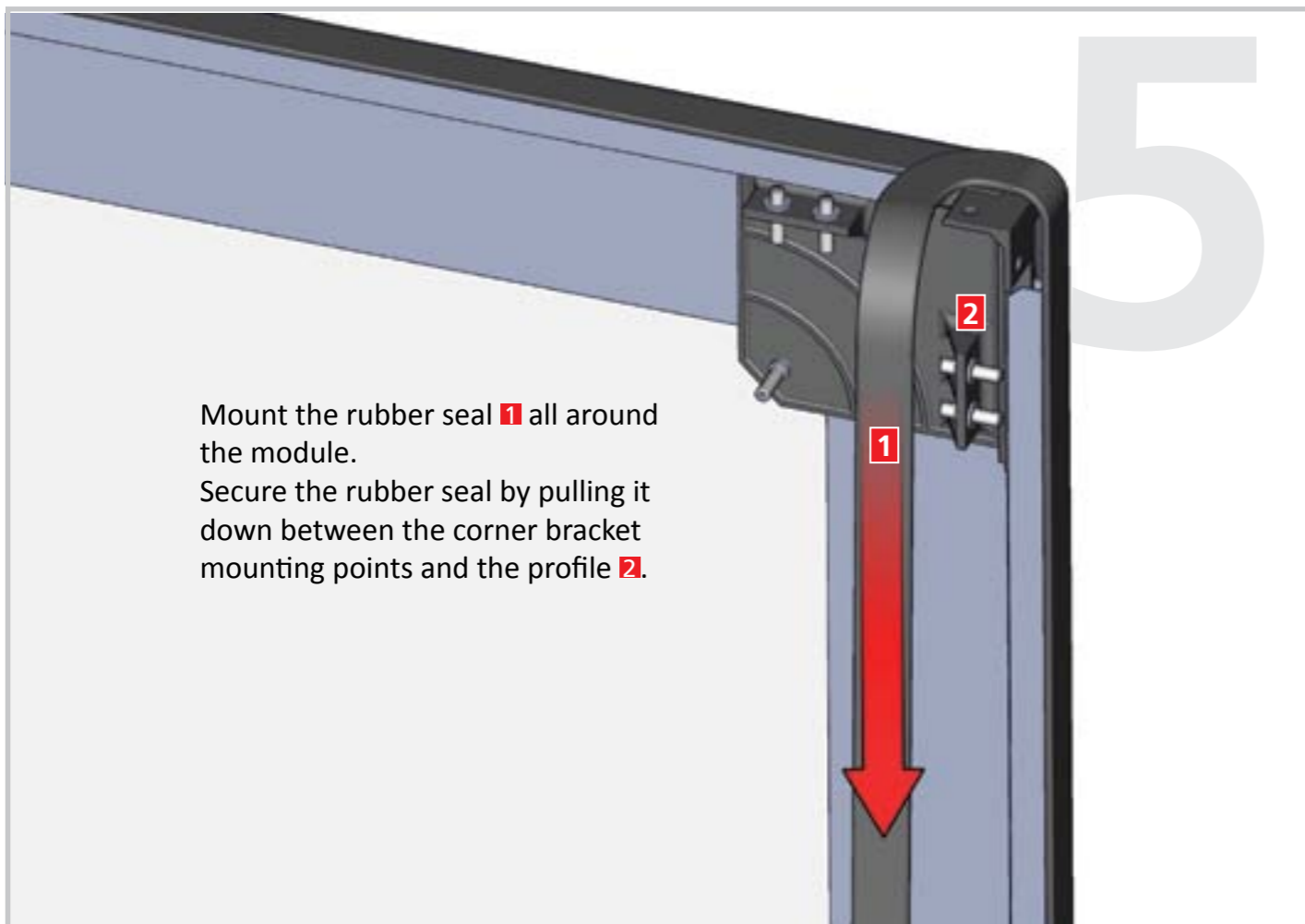
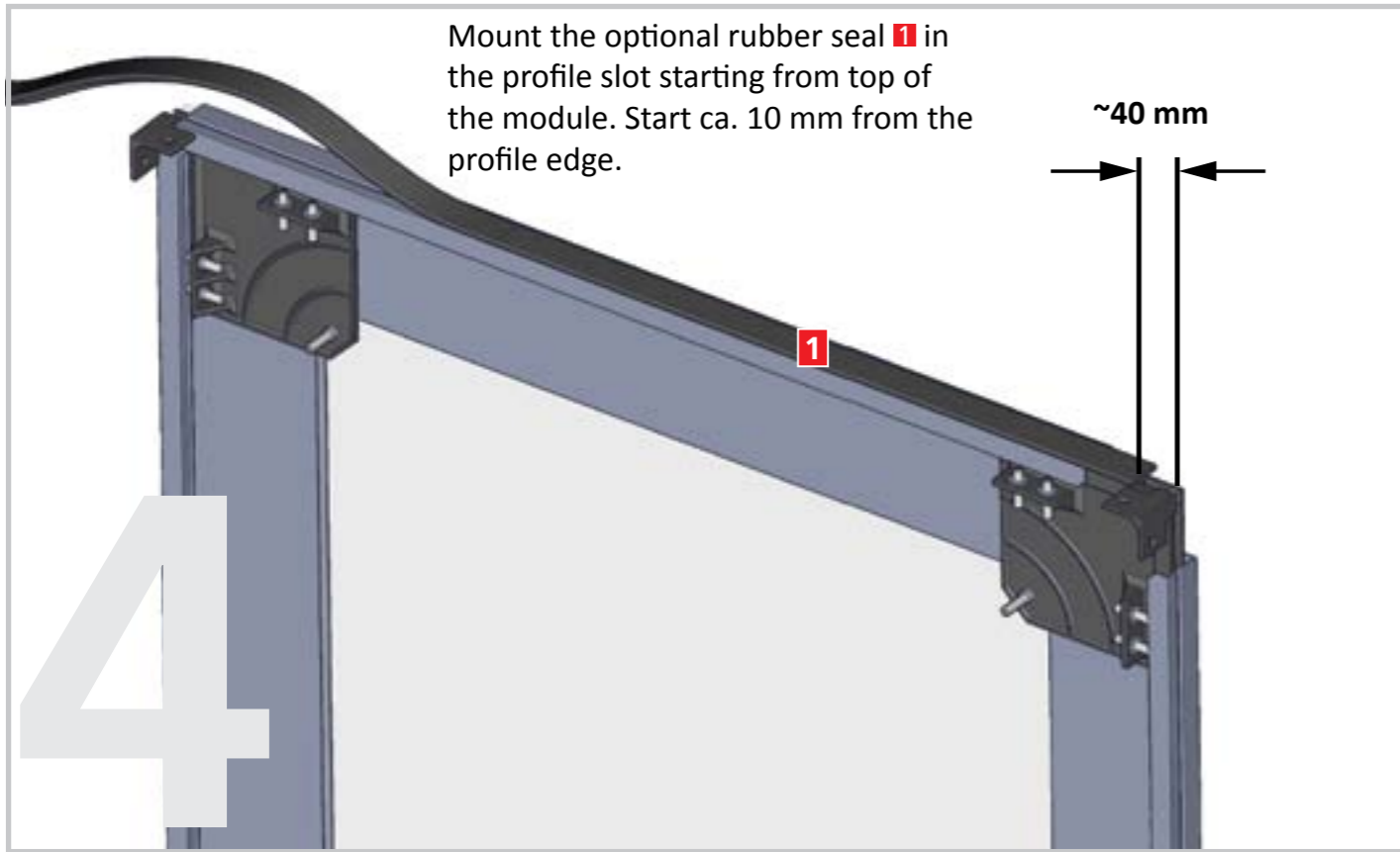
- 7,5x72 mm frame screws for concrete
- 7,5x92 mm frame screws for brick
- 8x50 mm frame screws for wood
(all screws must be Hilti quality or equivalent)
- Suction cup

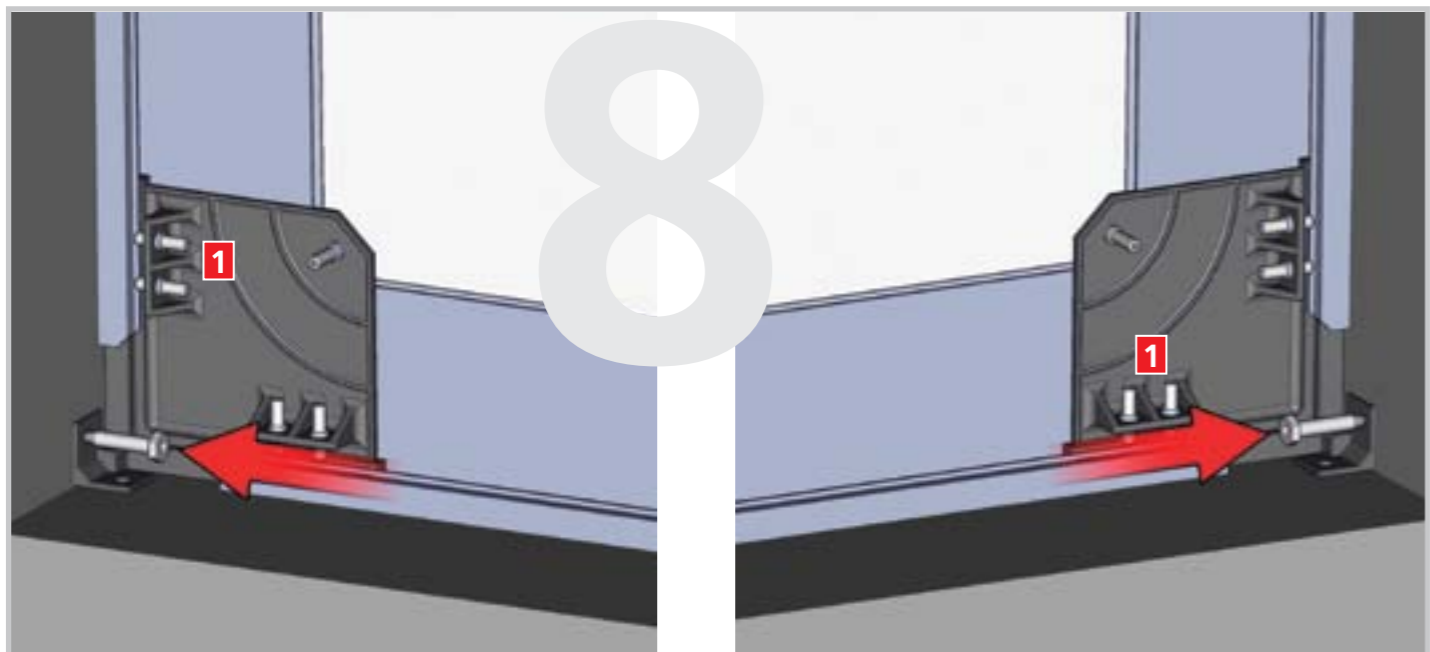
Always observe and follow local safety regulations when working with Altiflex modules.

This installation guide is NOT valid for US and Canada. Contact Altiflex for US and Canadian version.

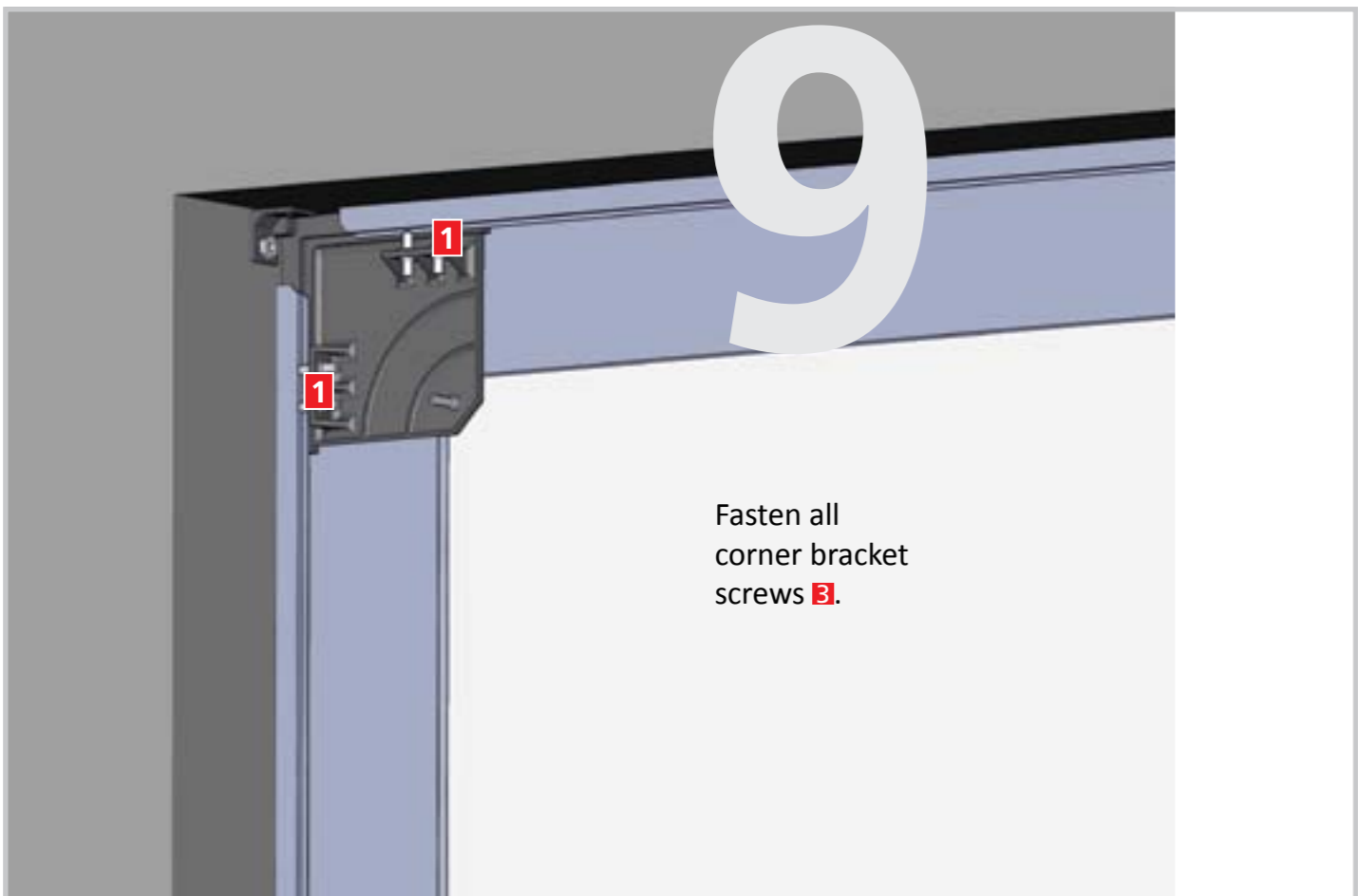
Version 1.0 05/2011



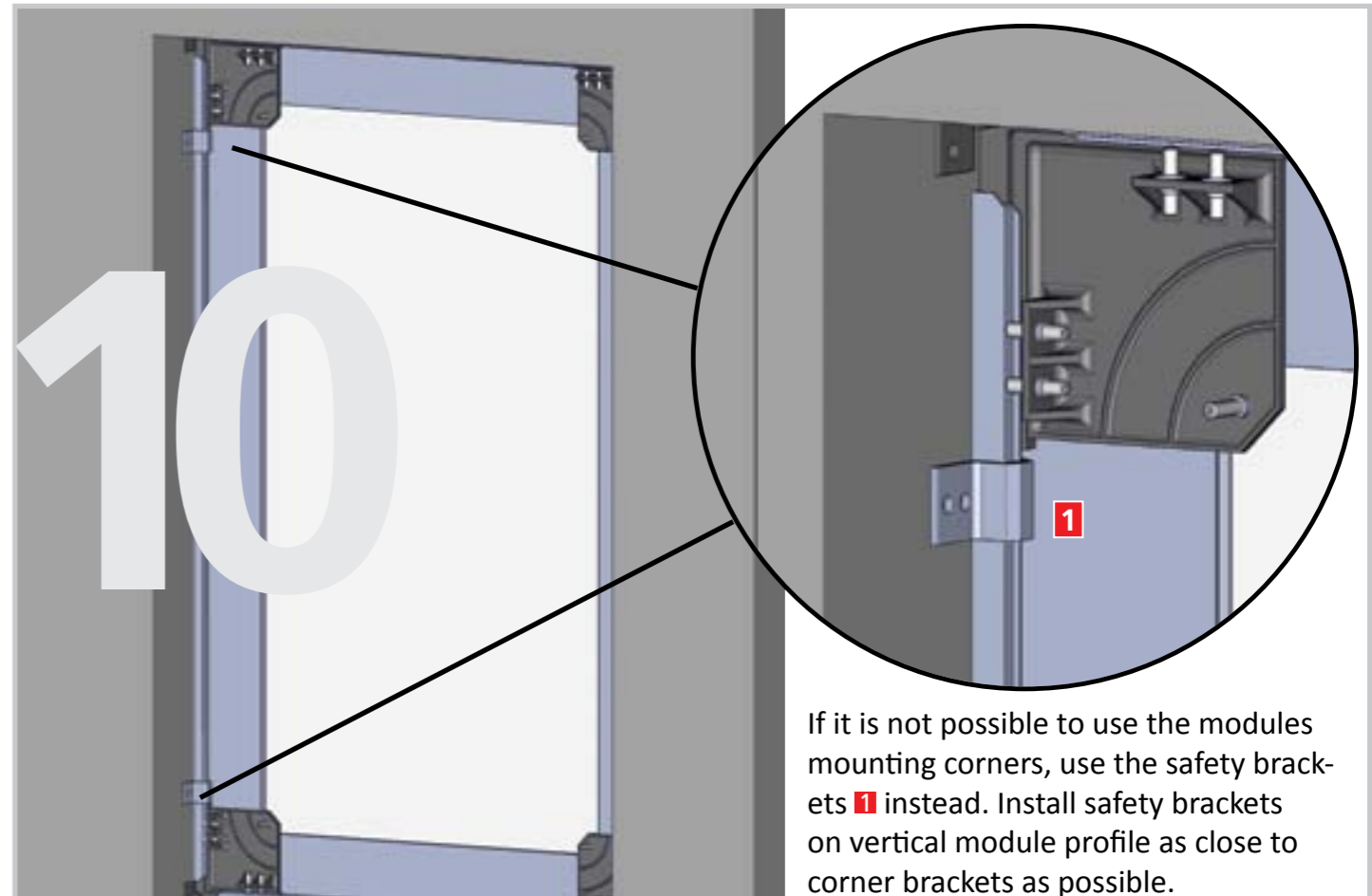




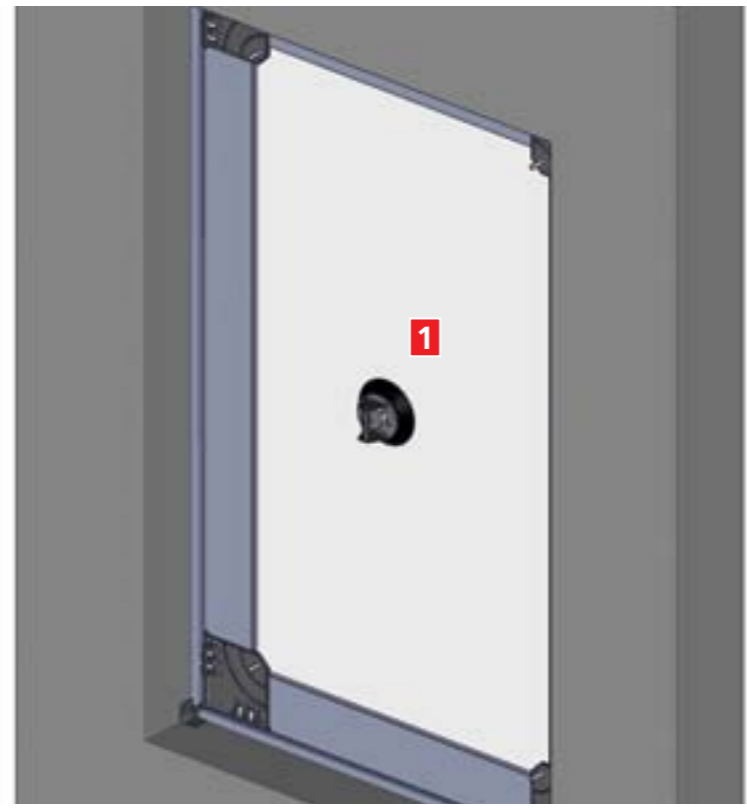
Loosen screws **1** again.
Fasten lower left and right corners.



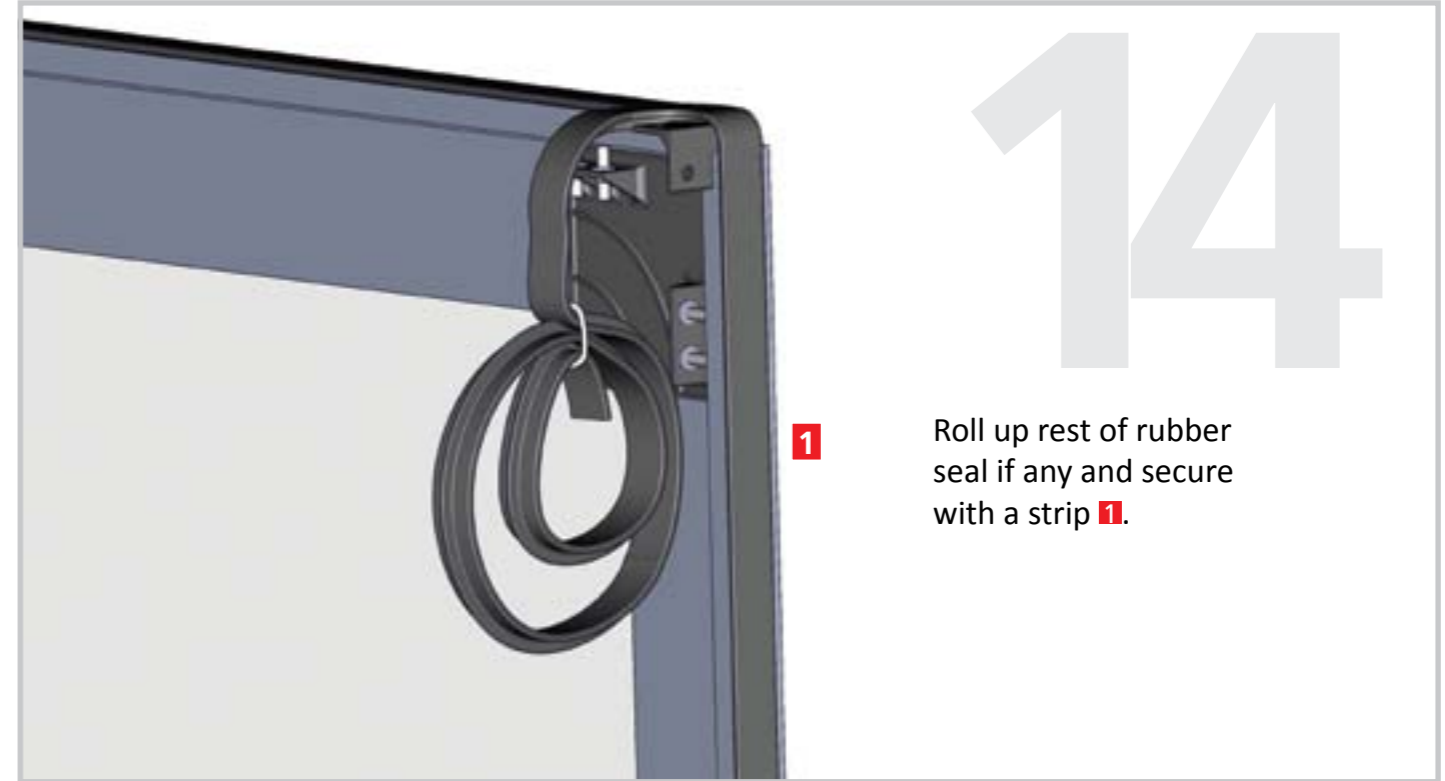
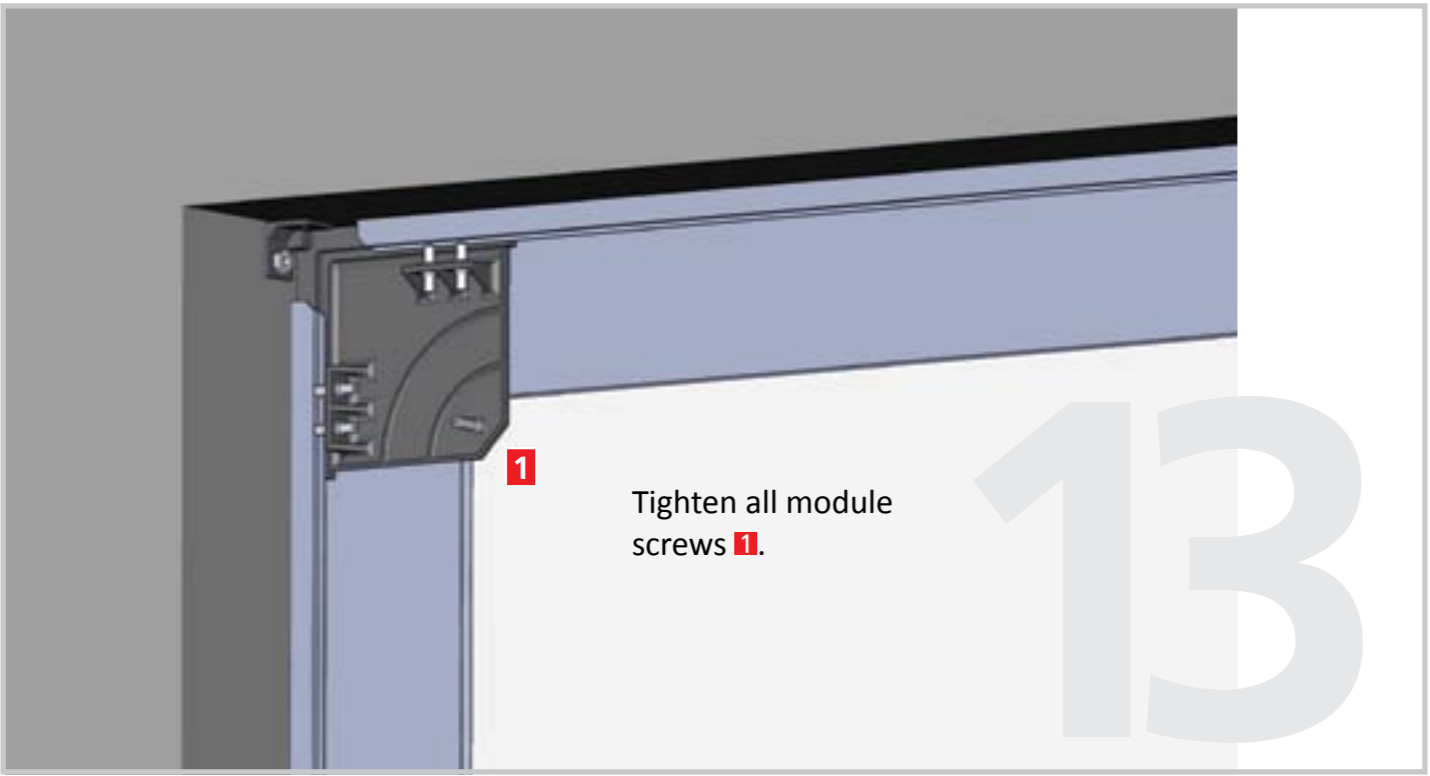
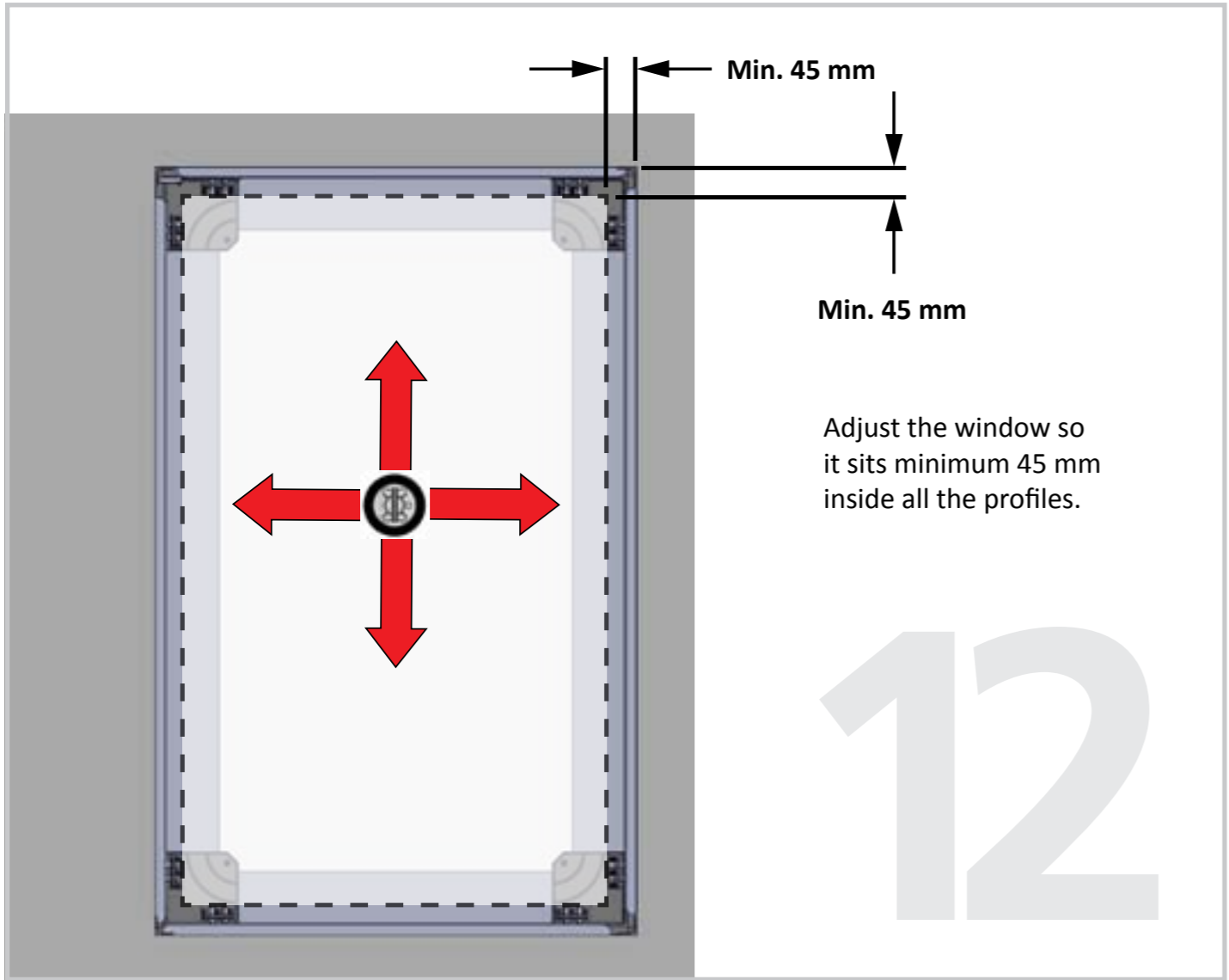
Fasten all
corner bracket
screws **3**.



If it is not possible to use the modules mounting corners, use the safety brackets **1** instead. Install safety brackets on vertical module profile as close to corner brackets as possible. **Always** use safety brackets when mounting module as part of safety fence.

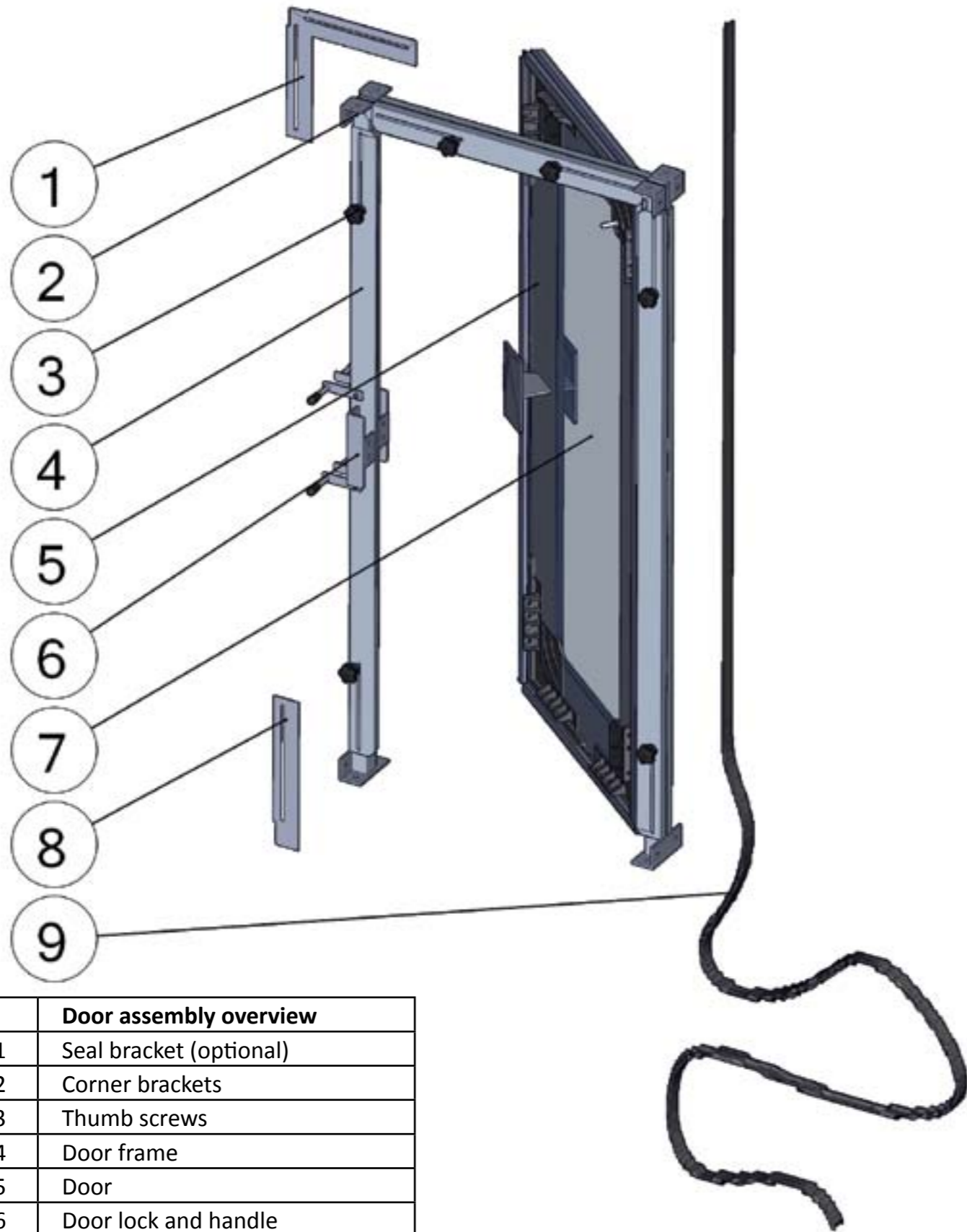


Attach a suction cup **1** on the window.
We recommend N-series suction cups from Powr-grip.

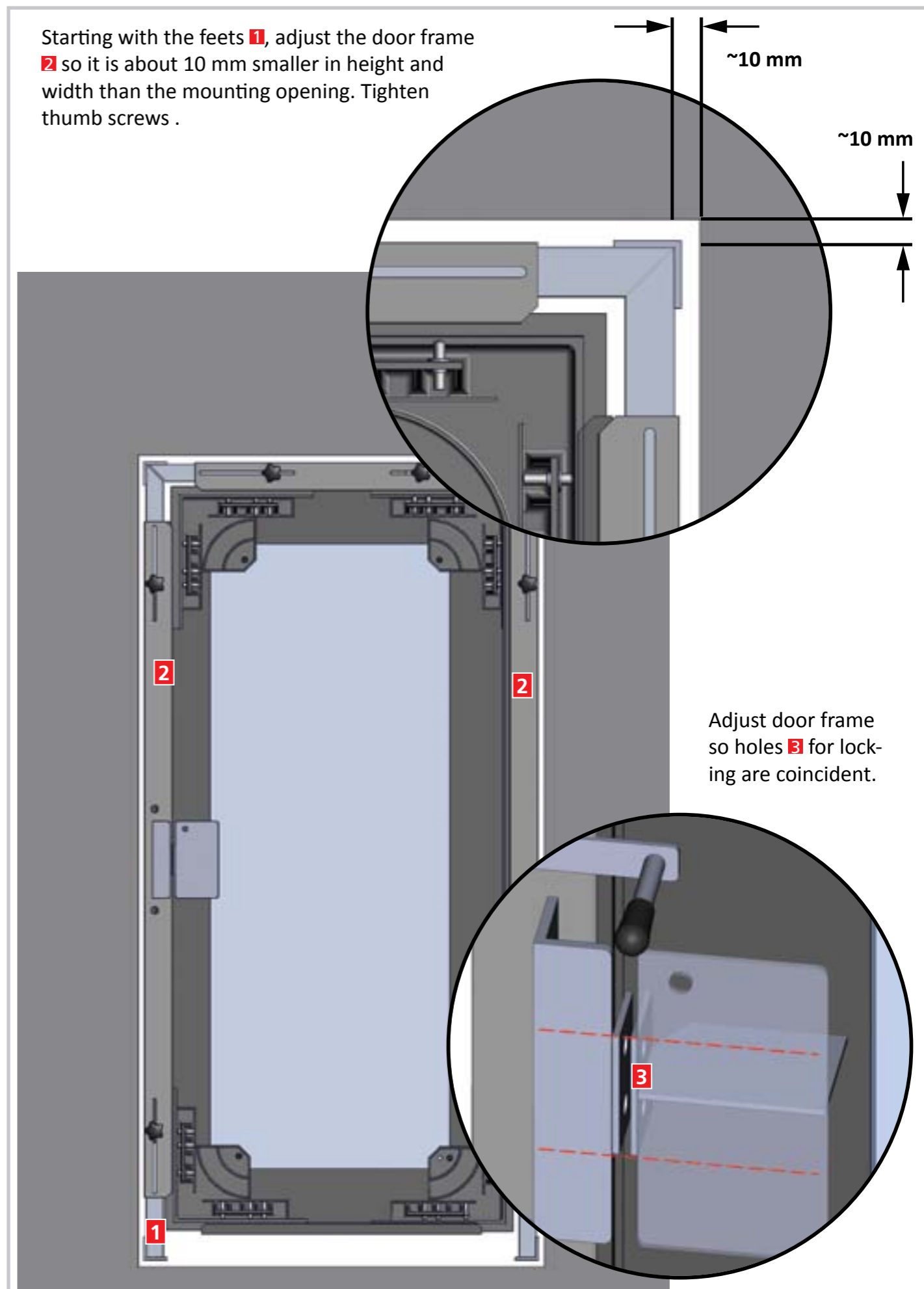


DOORS

Doors are installed following the same general procedures as modules. Refer to modules instruction when needed. Front doors must open inwards.

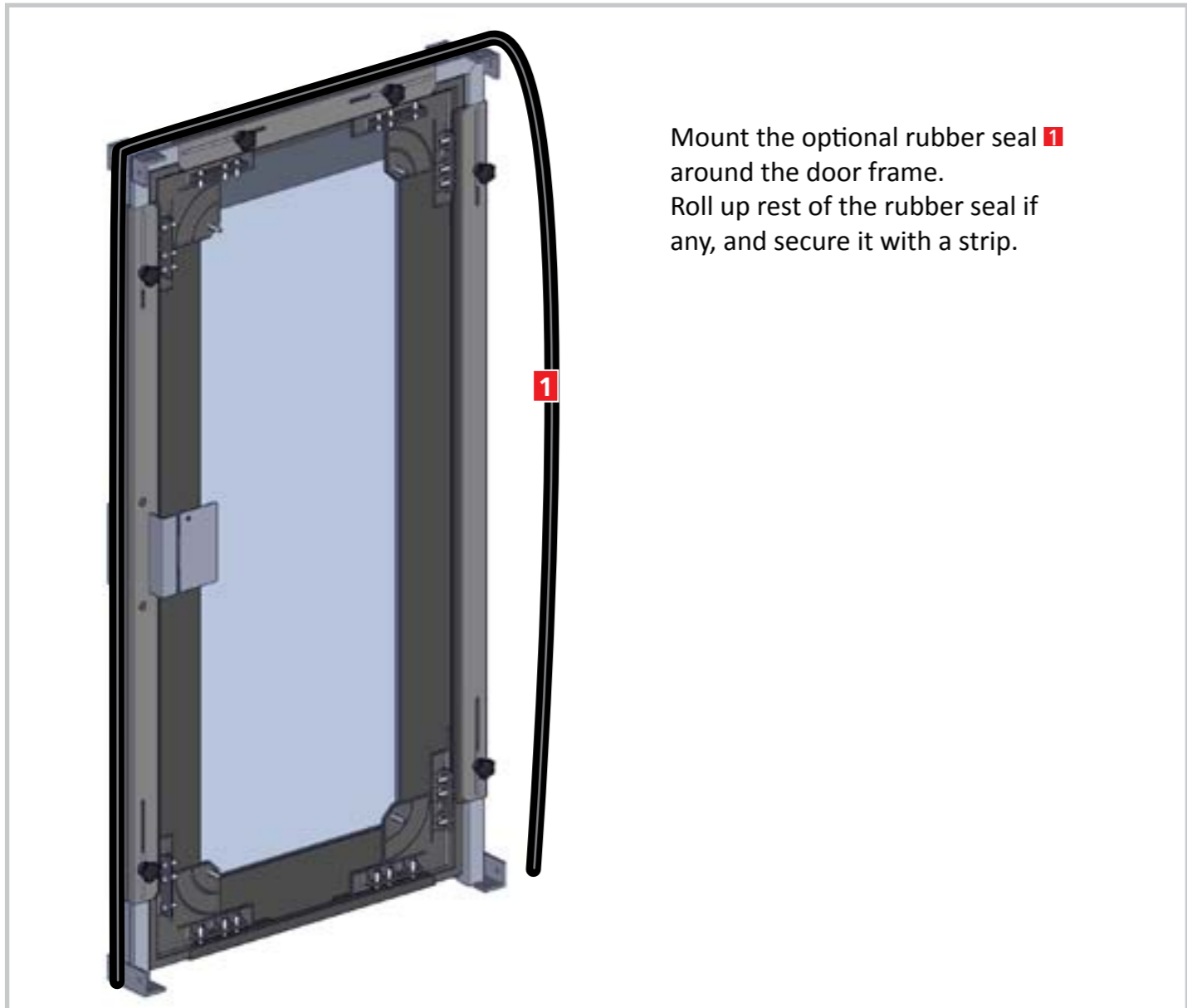


Door assembly overview	
1	Seal bracket (optional)
2	Corner brackets
3	Thumb screws
4	Door frame
5	Door
6	Door lock and handle
7	Window
8	Seal bracket (optional)
9	Rubber seal (optional)

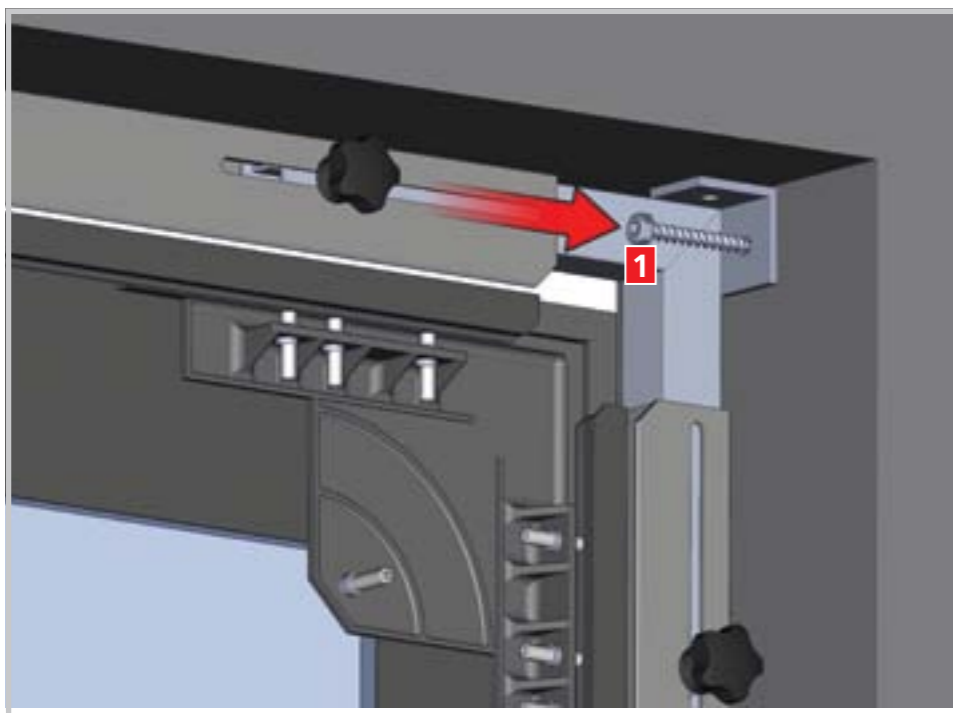


Starting with the feet **1**, adjust the door frame **2** so it is about 10 mm smaller in height and width than the mounting opening. Tighten thumb screws.

Adjust door frame so holes **3** for locking are coincident.

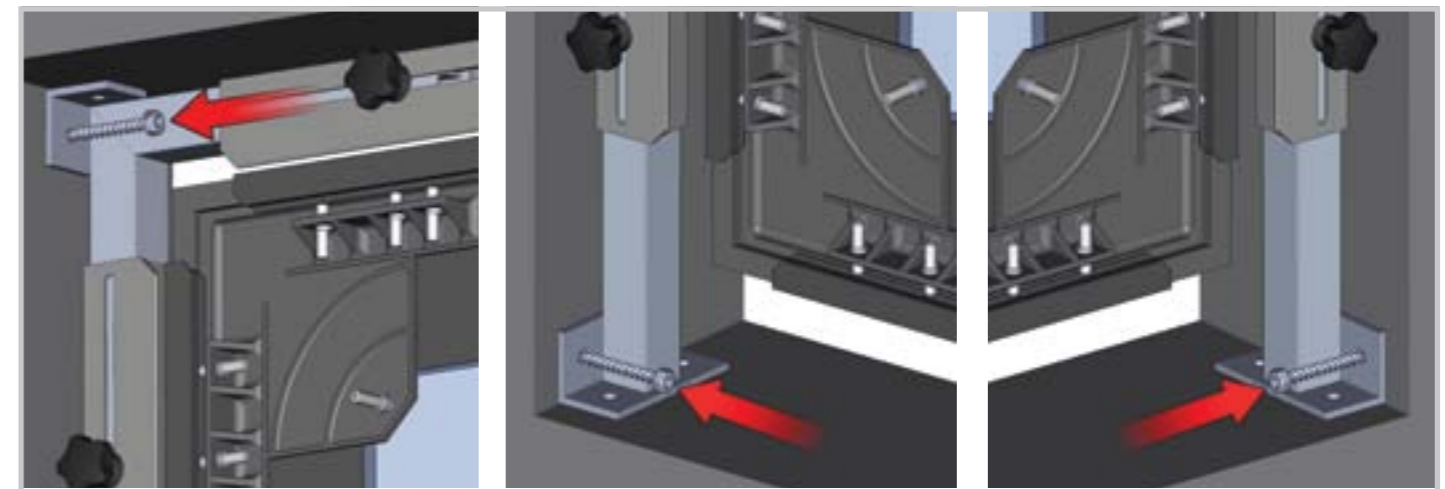


Mount the optional rubber seal **1** around the door frame.
Roll up rest of the rubber seal if any, and secure it with a strip.

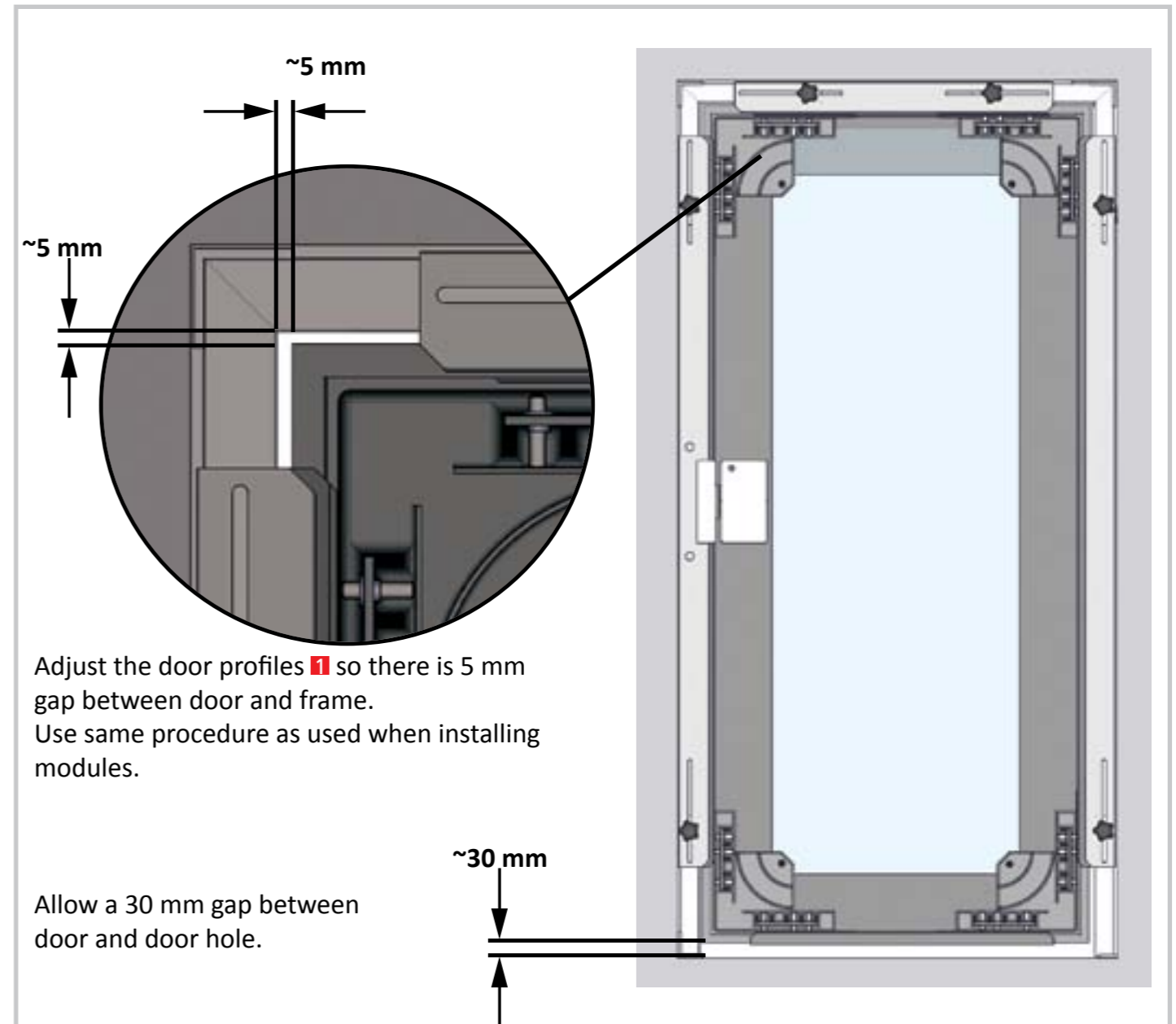


Fasten in hinge side first.

Fasten upper corner of door frame in hinge side first. Use 7,5x45mm frame screws **1** if mounting in concrete. Use 7,5 x 100 screws when mounting in a rafters/concrete combination. Use 7,5 x 8 screws when mounting in a rafters/rafters combination.



Loosen thumb screws to allow adjusting of door frame.
Fasten upper right corner.
Fasten lower corners.



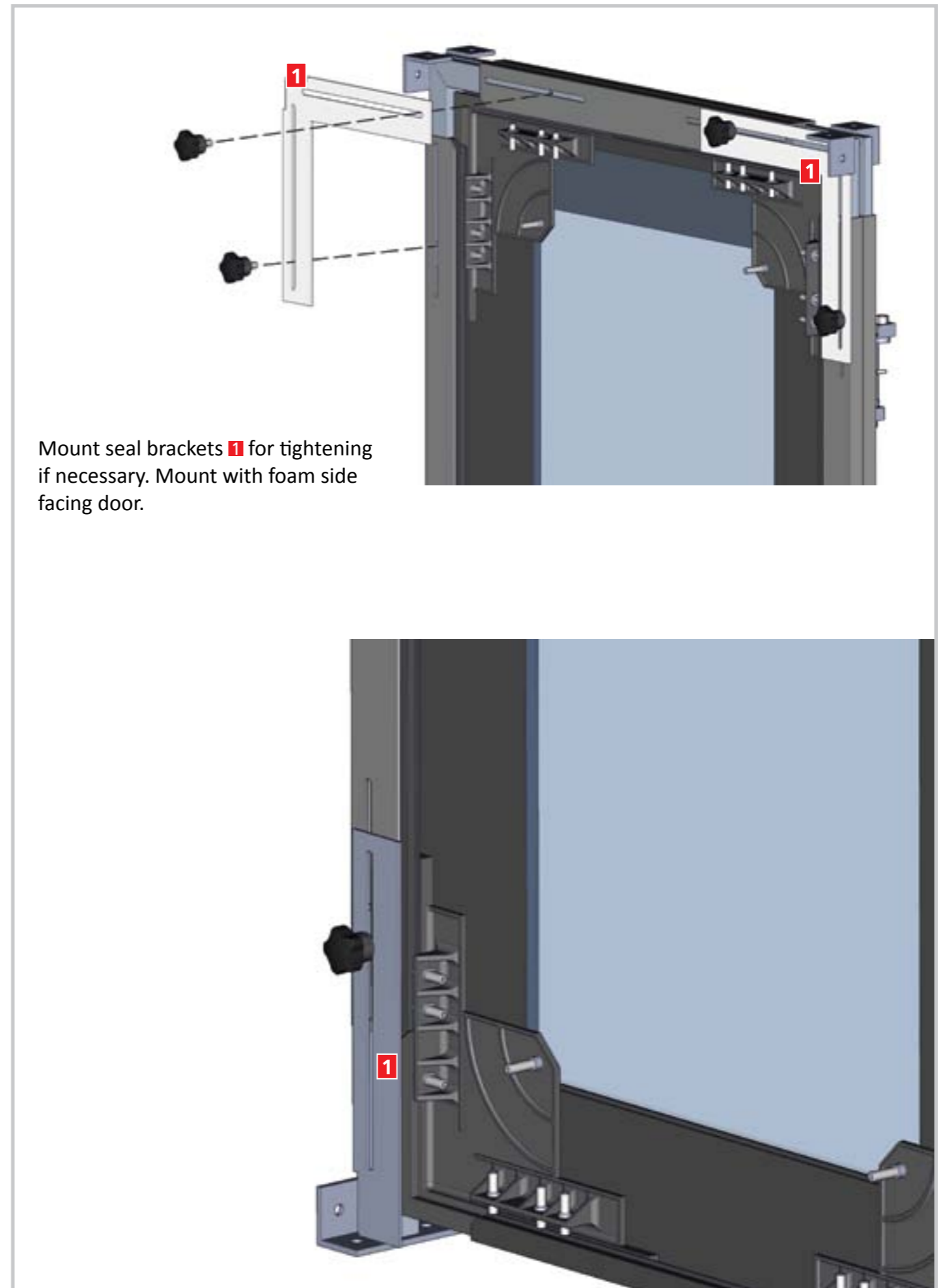
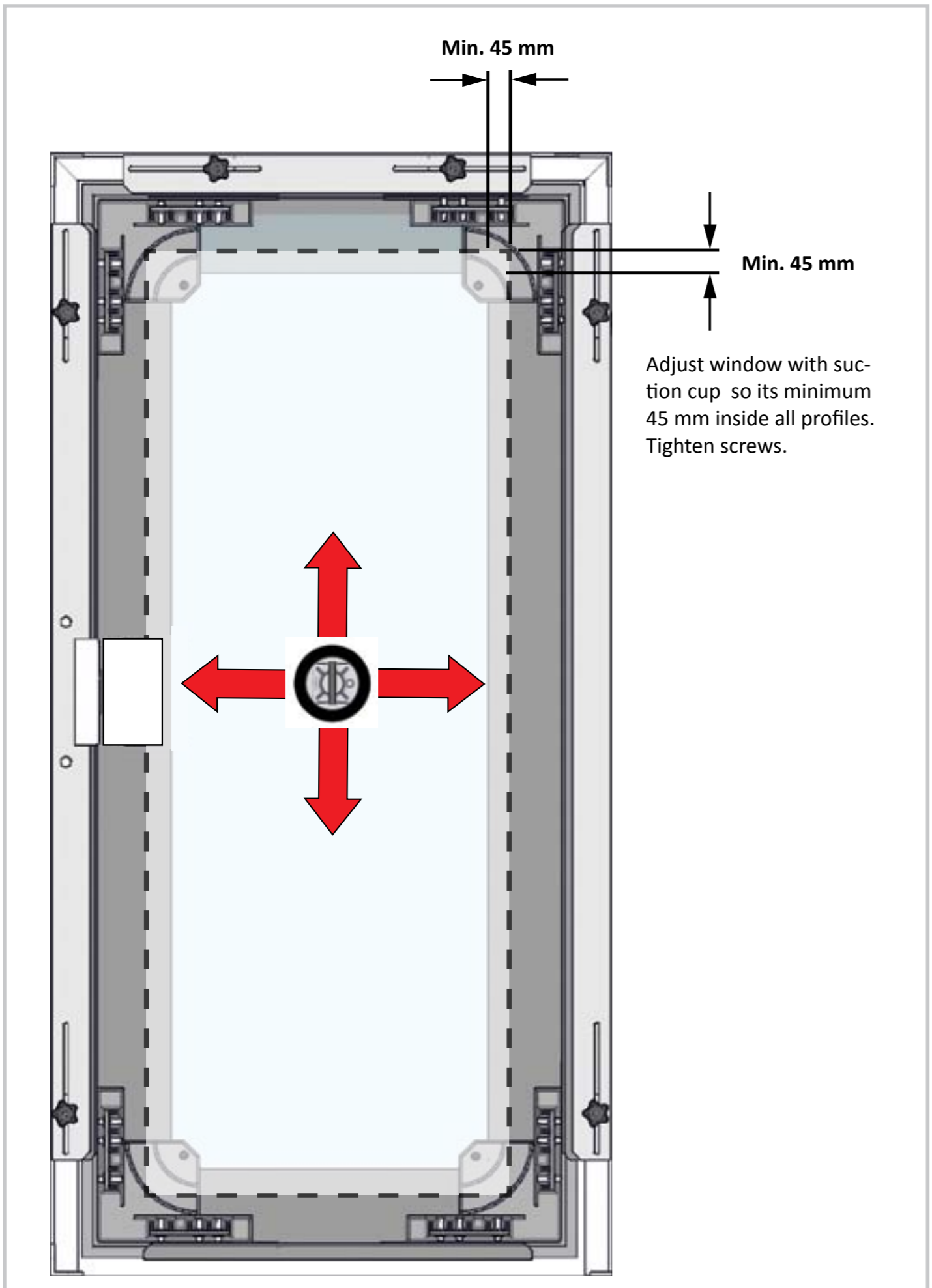
~5 mm

~5 mm

Adjust the door profiles **1** so there is 5 mm gap between door and frame.
Use same procedure as used when installing modules.

Allow a 30 mm gap between door and door hole.

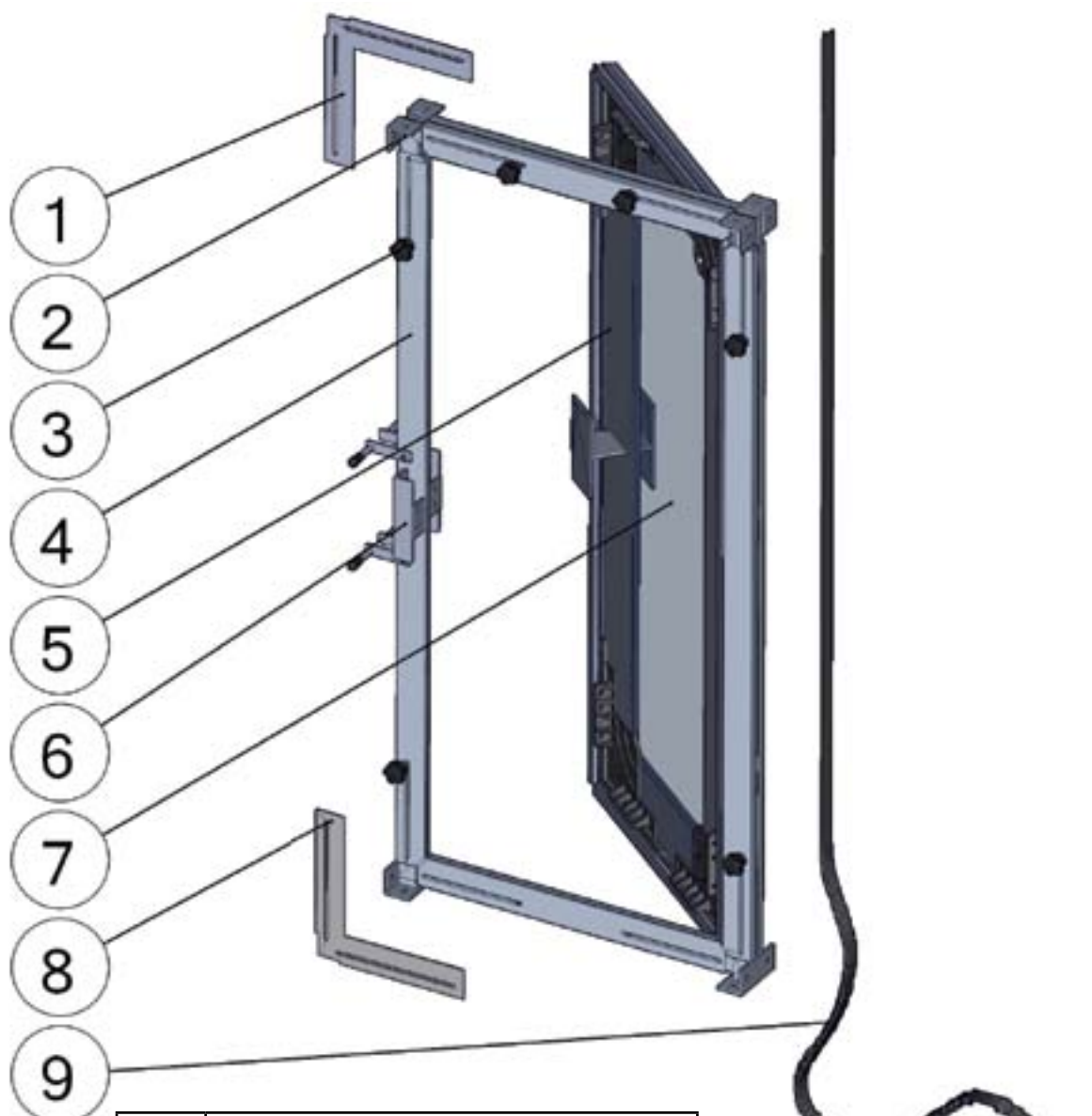
~30 mm



MODULES TO OPEN

Modules that are able to open are installed following the same general procedures as doors and closed modules. Refer to modules instruction when needed.

Modules that are able to open are similar to doors with an added bottom frame frame.

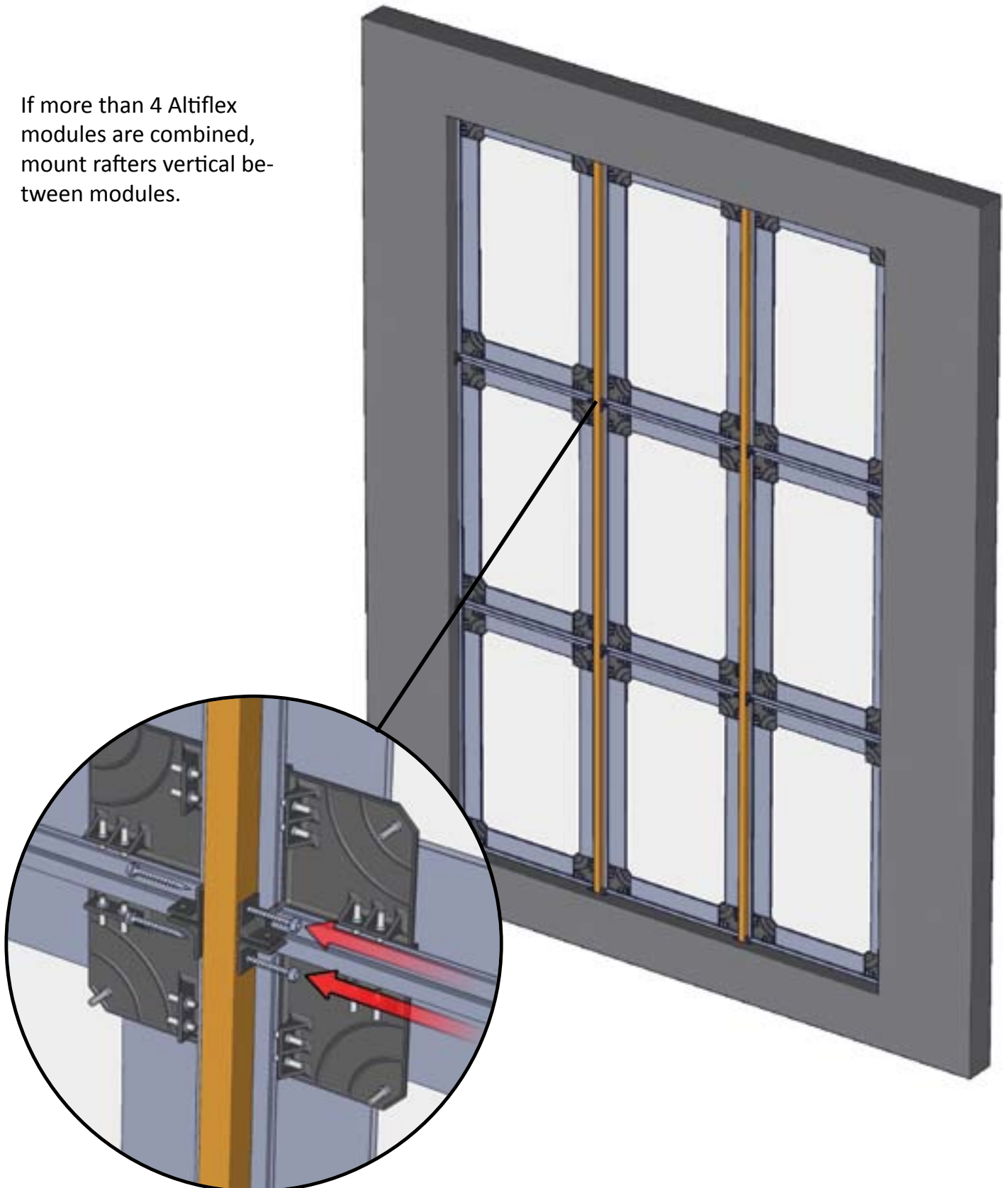


Door assembly overview	
1	Seal bracket (optional)
2	Mounting fittings
3	Thumb screws
4	Door frame
5	Door
6	Door lock and handle
7	Corner brackets
8	Seal bracket (optional)
9	Rubber seal (optional)

MODULE COMBINATION

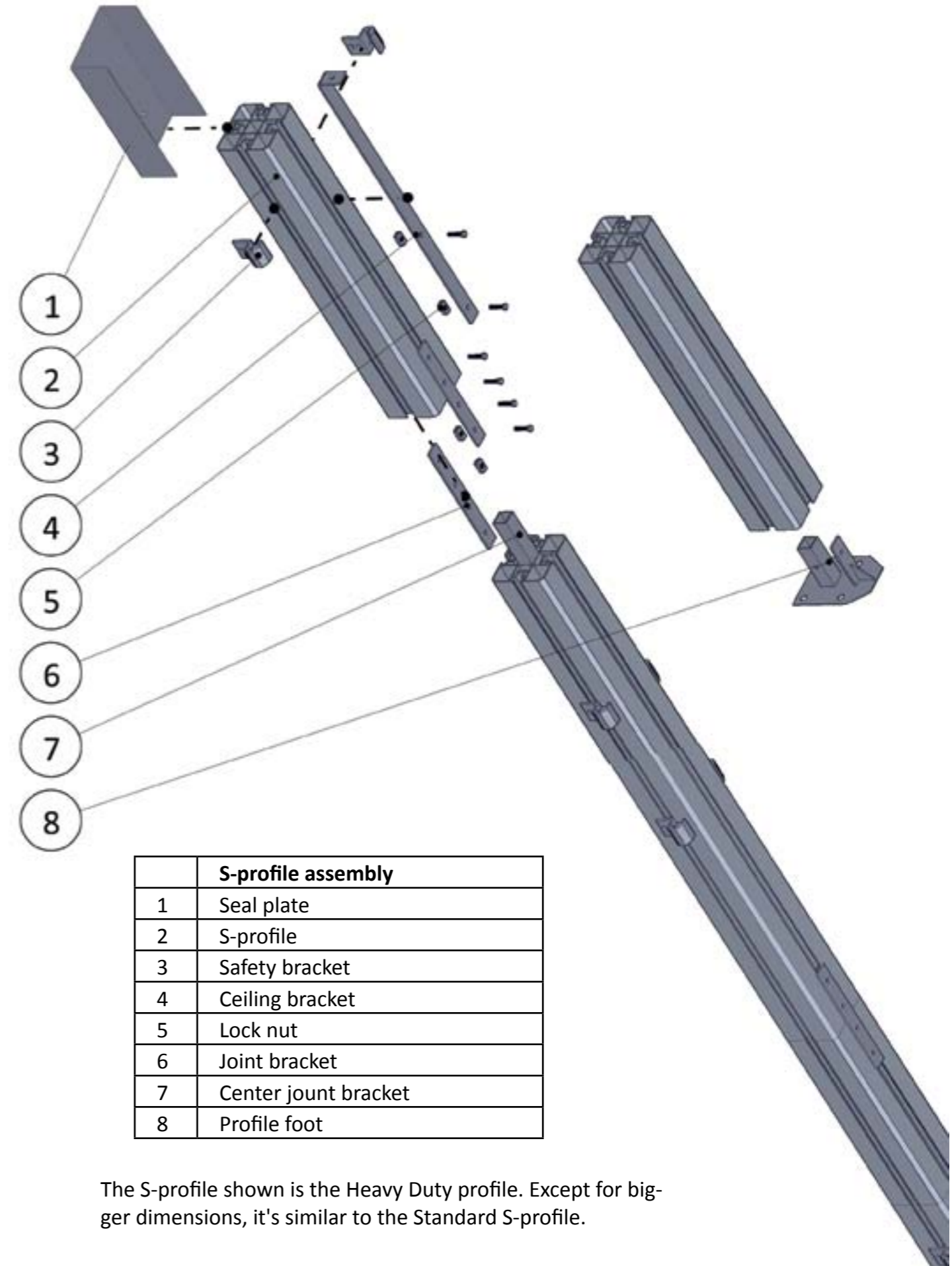
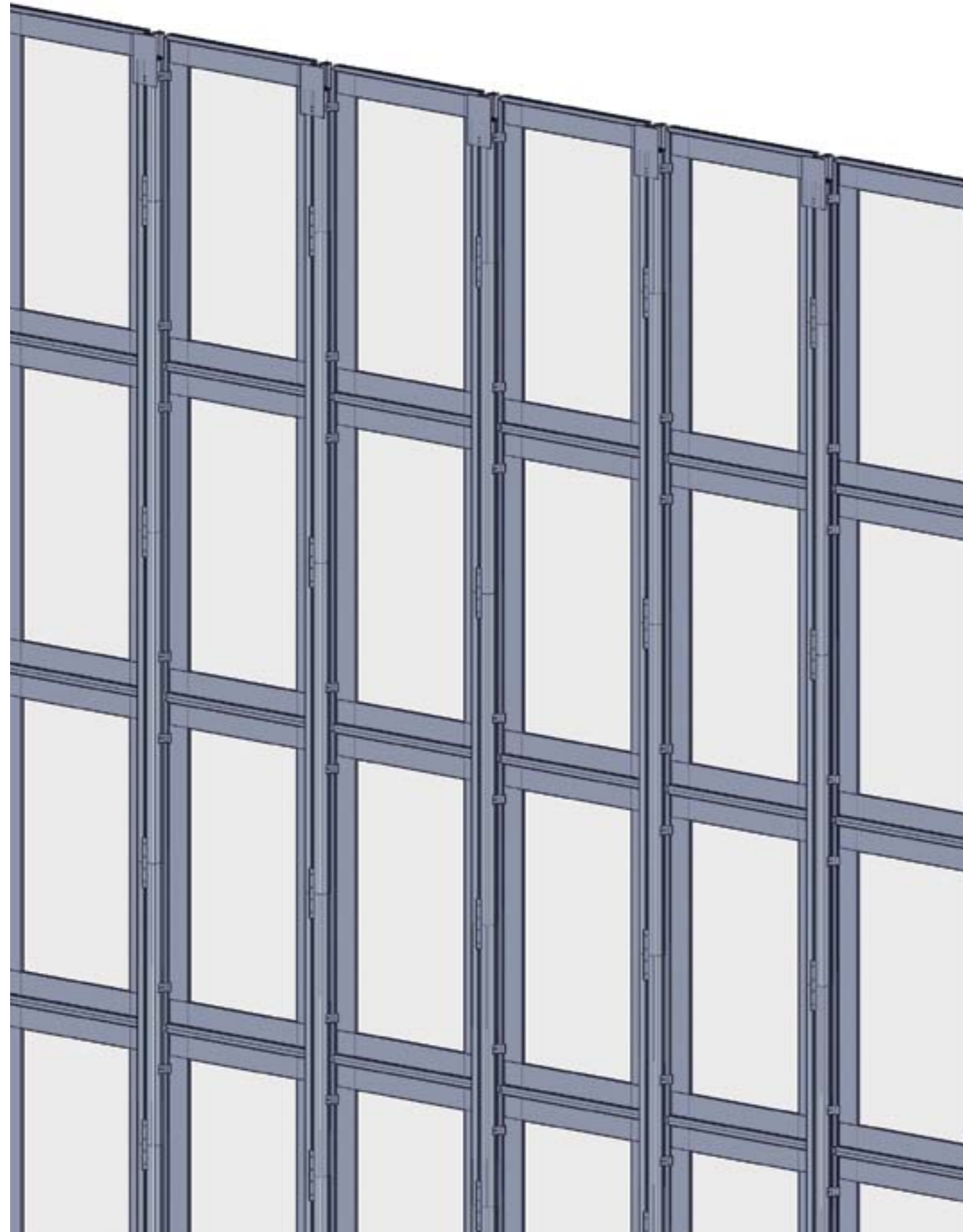
For construction walls larger than 4 x4 modules, see chapter: *Load dimensioning*

If more than 4 Altiflex modules are combined, mount rafters vertical between modules.

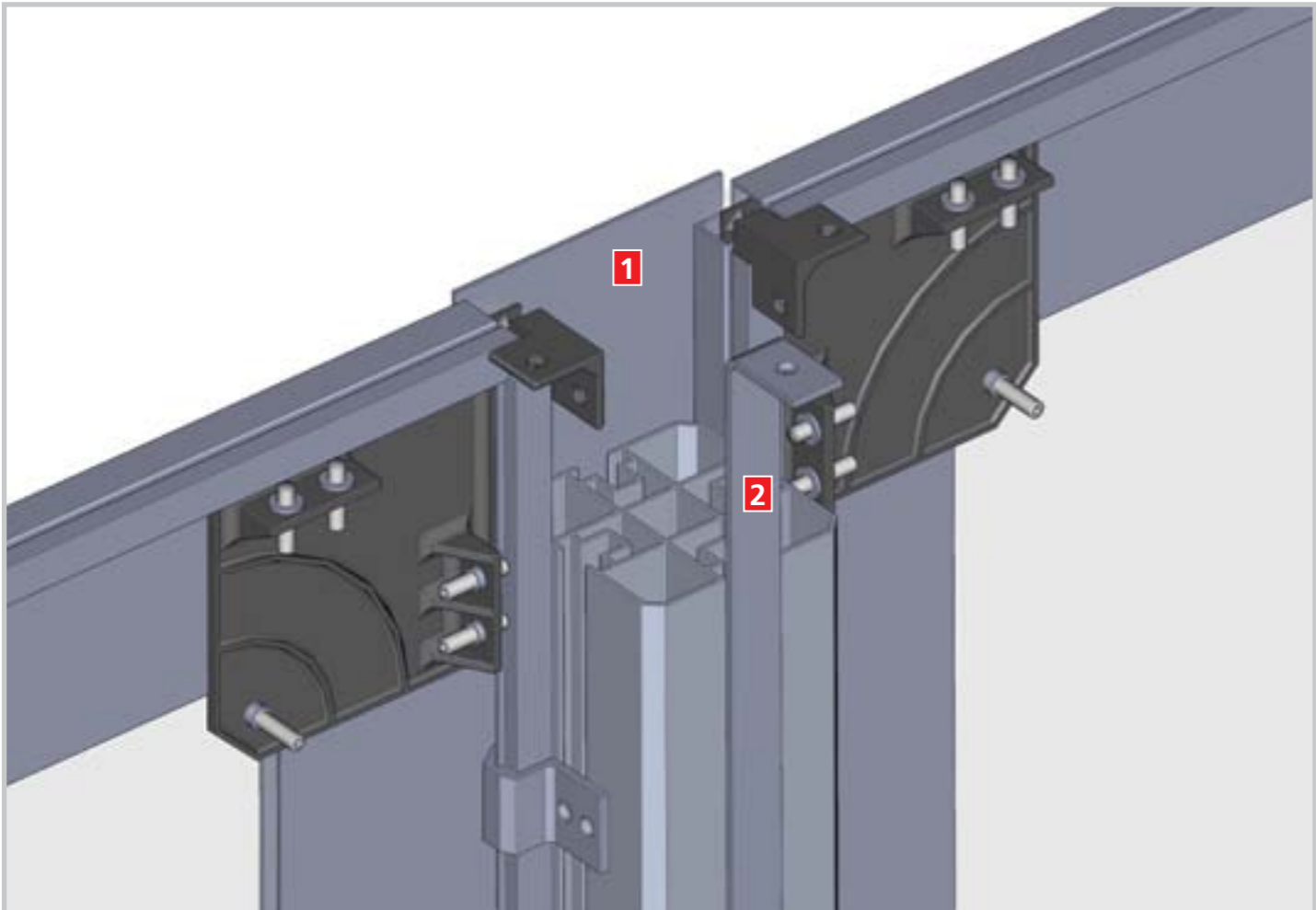


S-PROFILES

Altiflex S-profiles are used when larger holes are to be closed.

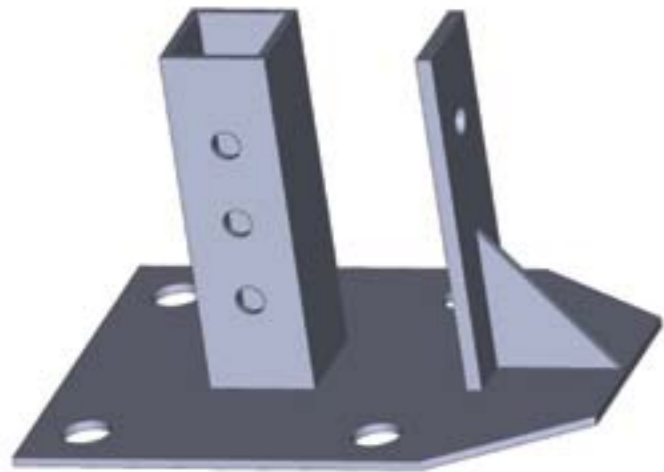


The S-profile shown is the Heavy Duty profile. Except for bigger dimensions, it's similar to the Standard S-profile.



Use ceiling bracket **1** when building walls up to ceiling.
Close gap with seal plate **2**.

Use S-profile feet when building from floor.

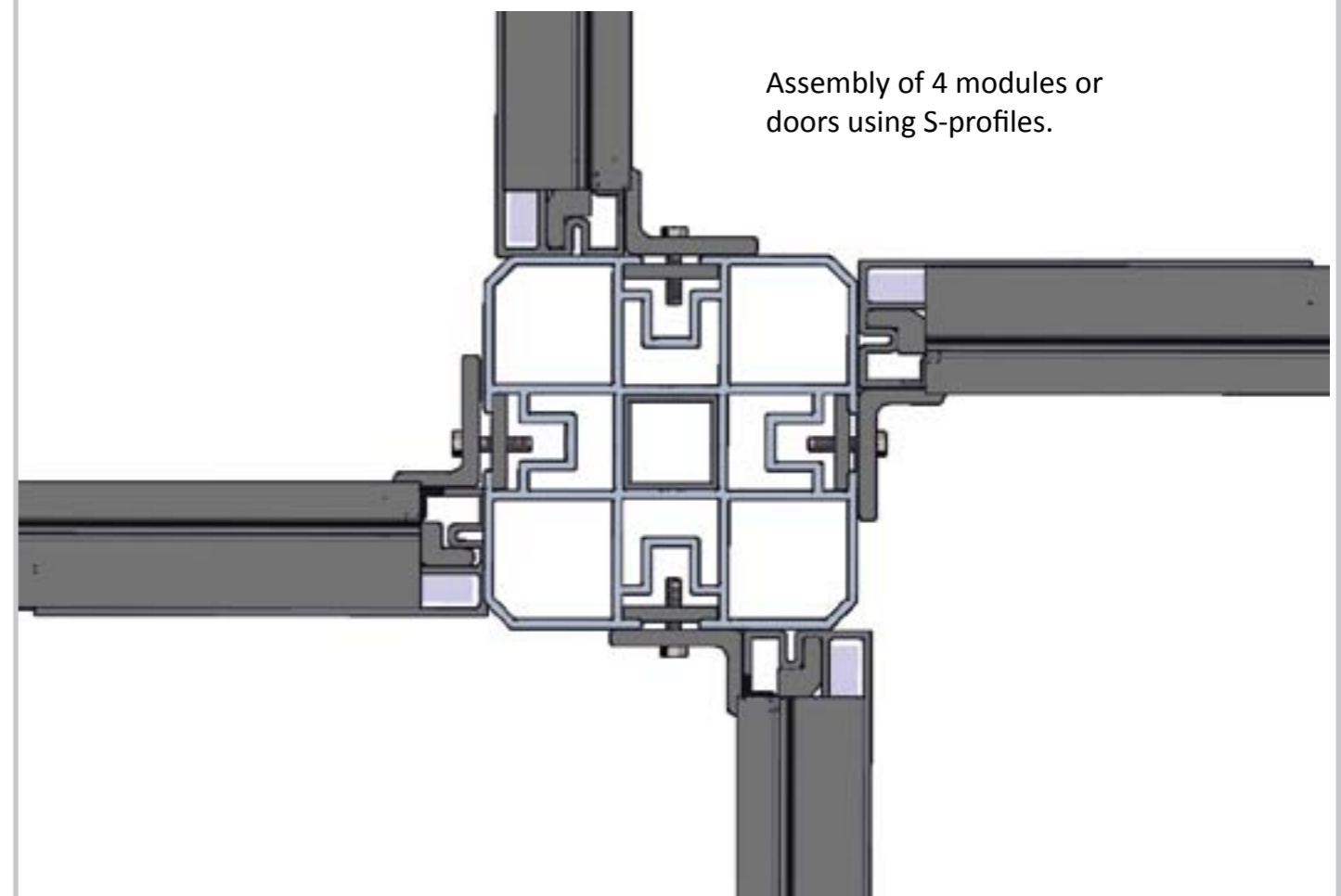
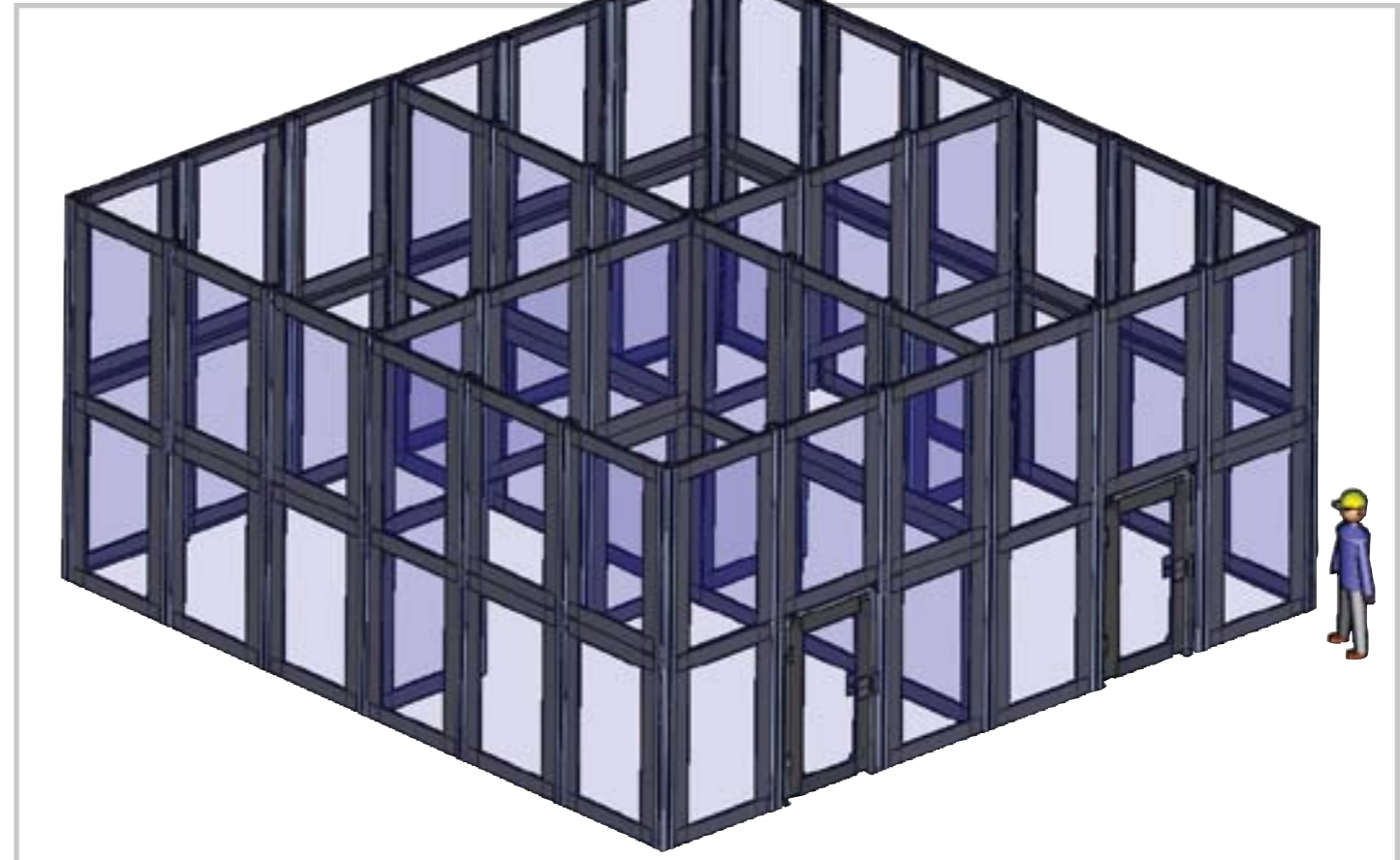


Feet for Heavy Duty S-profile.



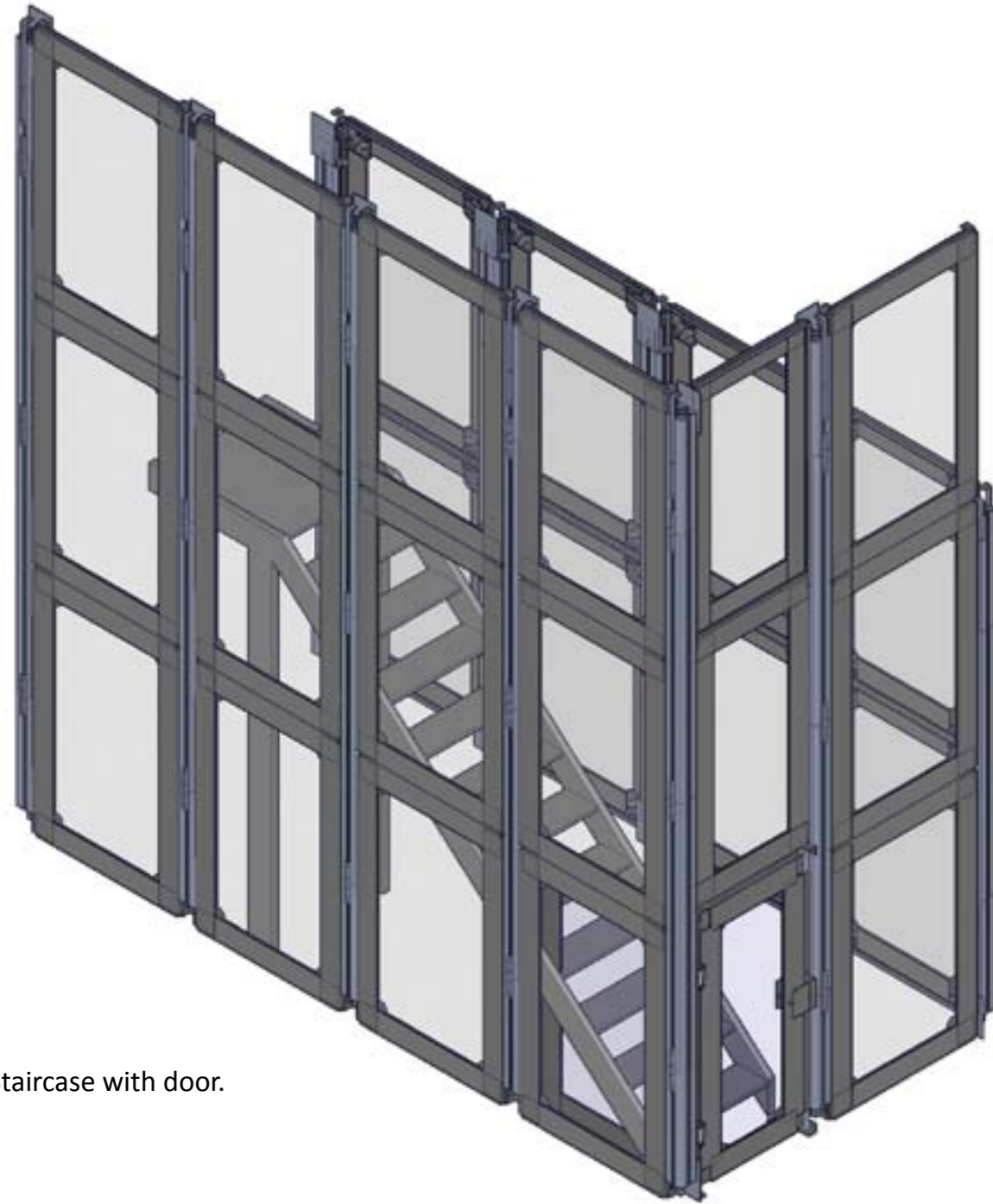
Feet for Standard S-profile.

ROOMS AND HOUSES

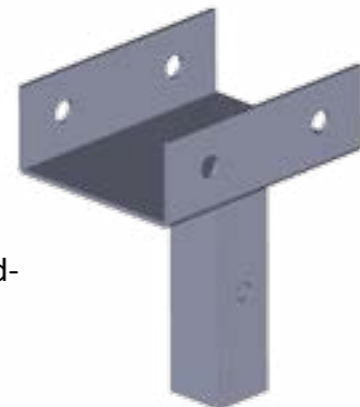


Assembly of 4 modules or doors using S-profiles.

STAIRCASE



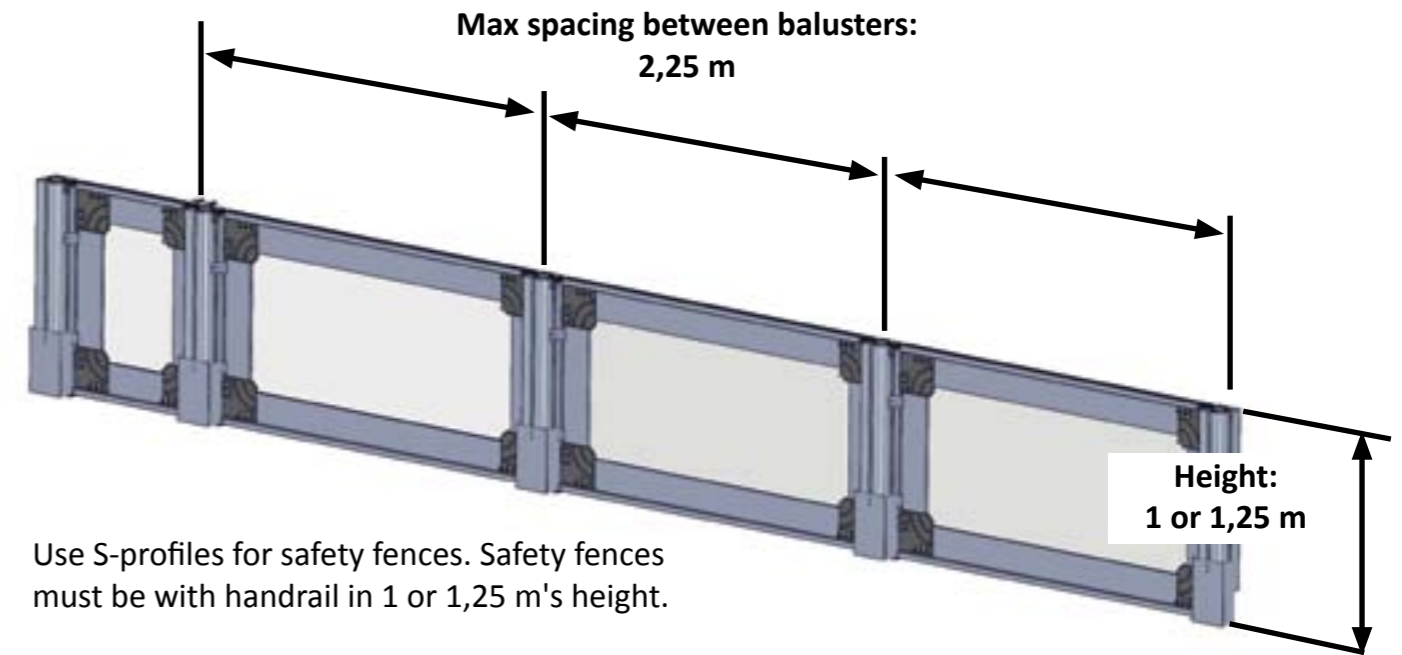
Staircase with door.



Use S-profile top brackets if building roof on a structure.

SAFETY FENCE

IMPORTANT: Always observe and follow local safety regulations when constructing safety structures.

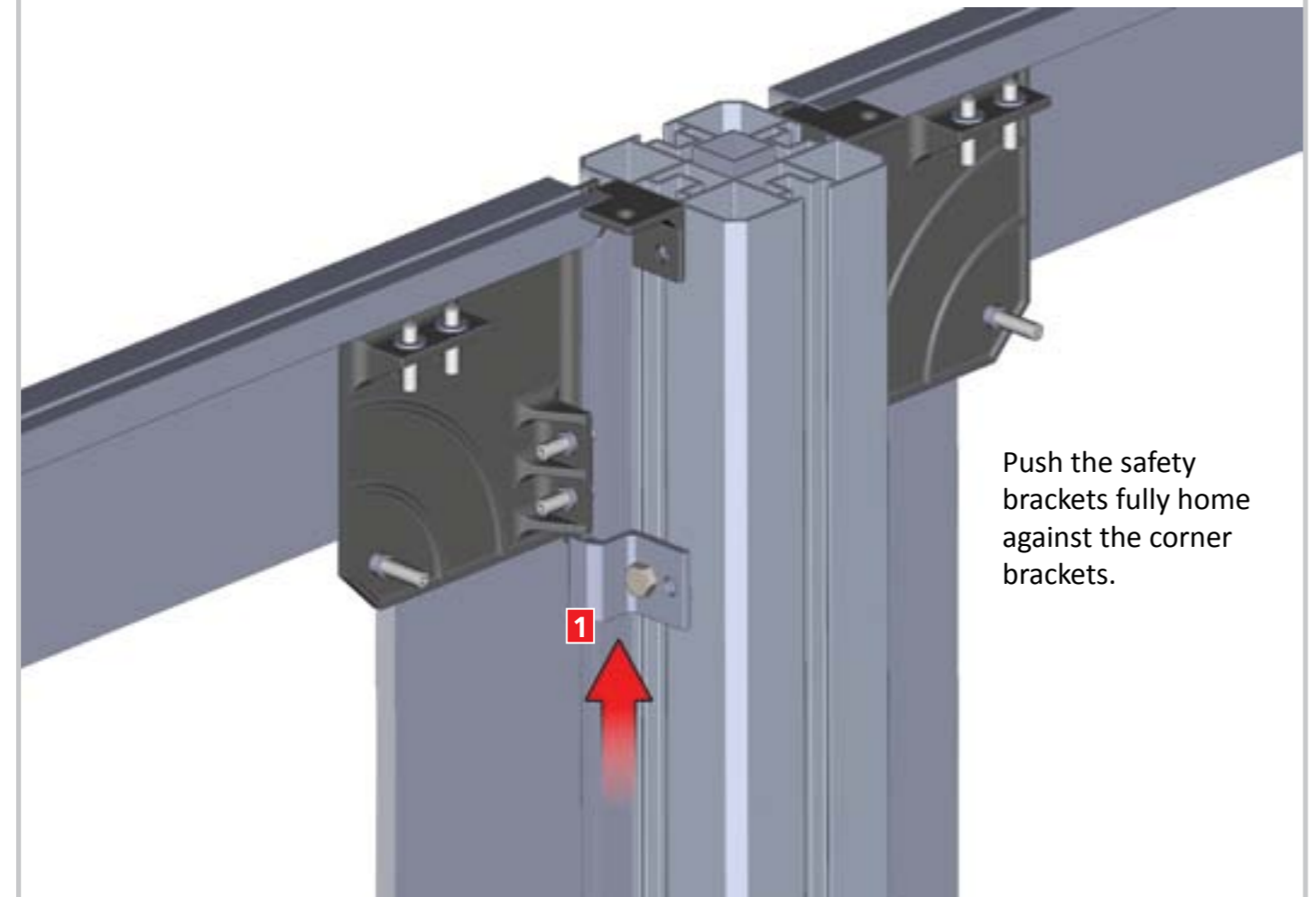
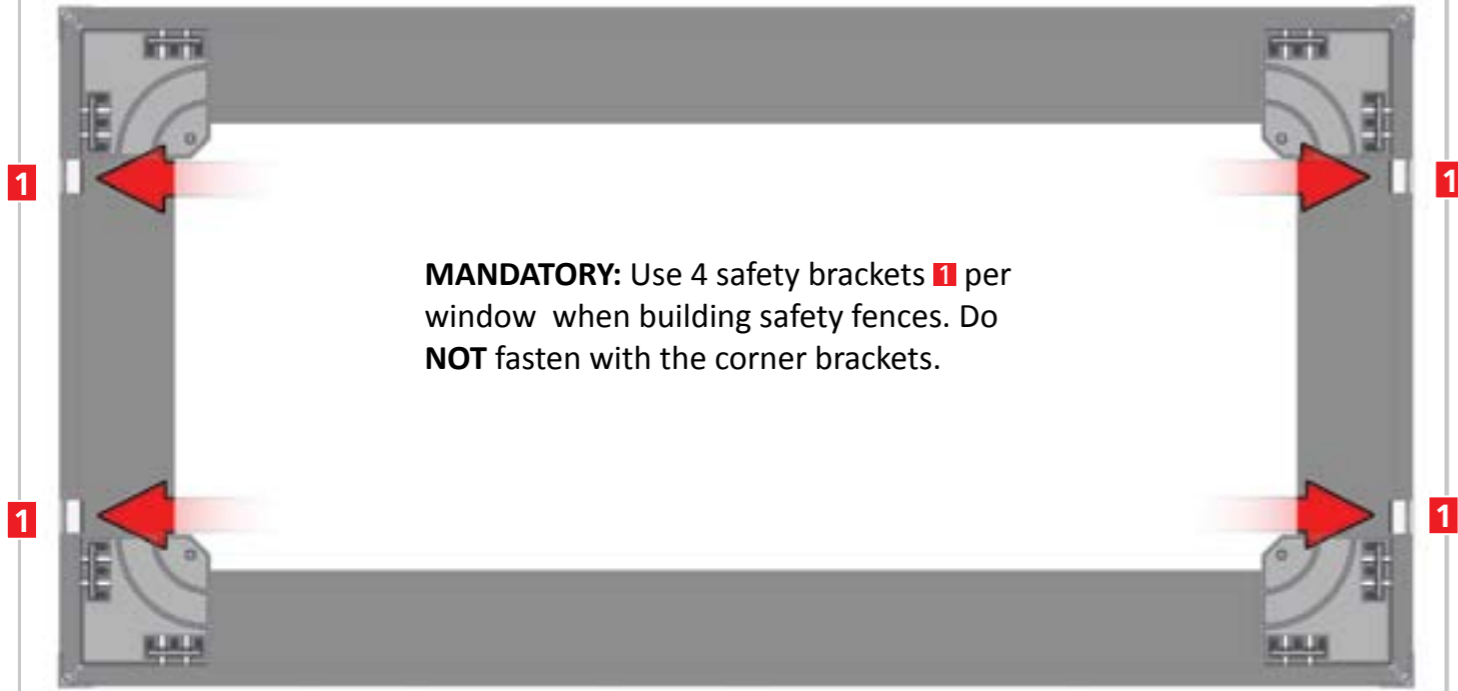


Use S-profiles for safety fences. Safety fences must be with handrail in 1 or 1,25 m's height.



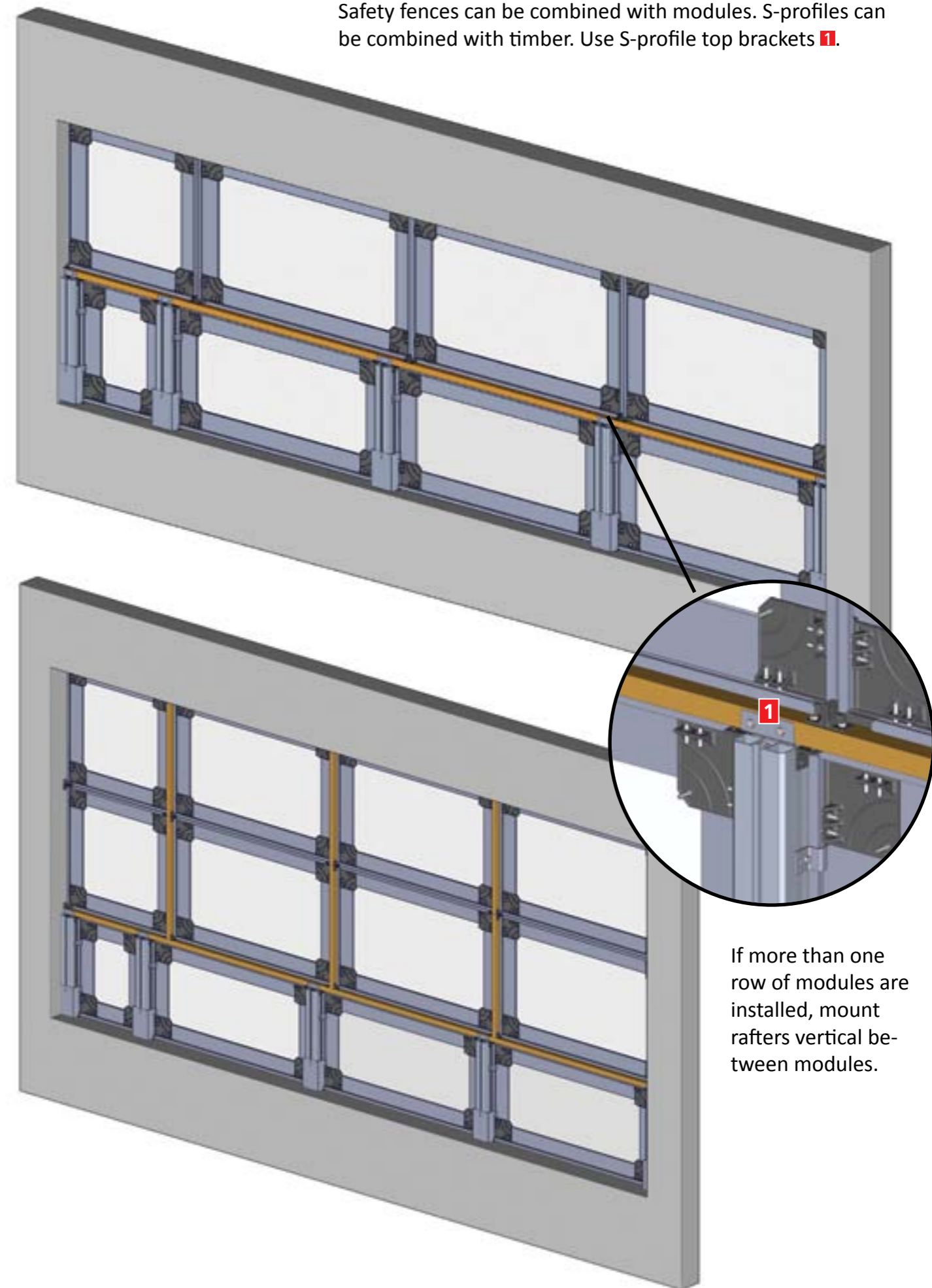
IMPORTANT: Always observe and follow local safety regulations when constructing safety structures.

MANDATORY: Use 4 safety brackets **1** per window when building safety fences. Do **NOT** fasten with the corner brackets.



Push the safety brackets fully home against the corner brackets.

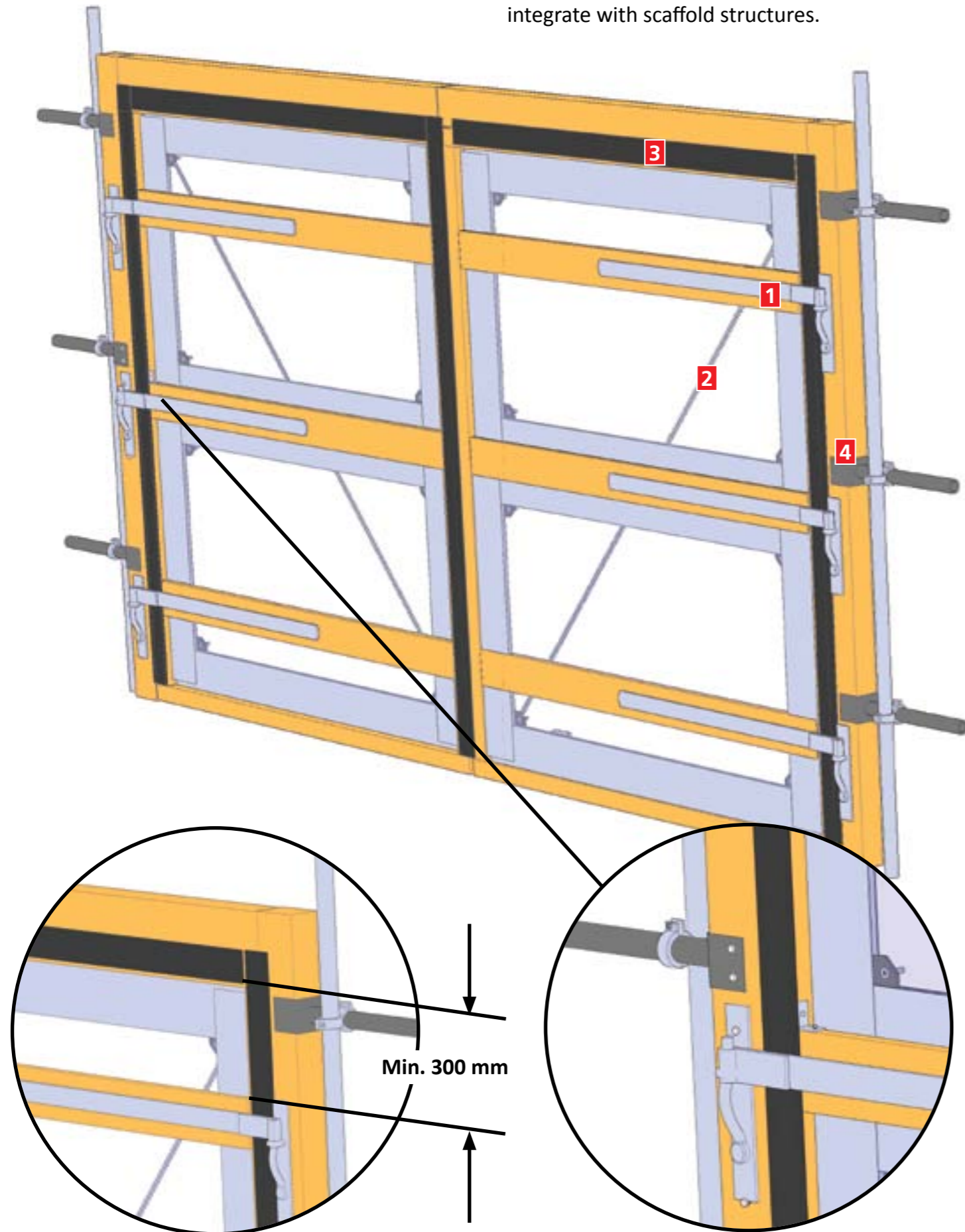
Safety fences can be combined with modules. S-profiles can be combined with timber. Use S-profile top brackets **1**.



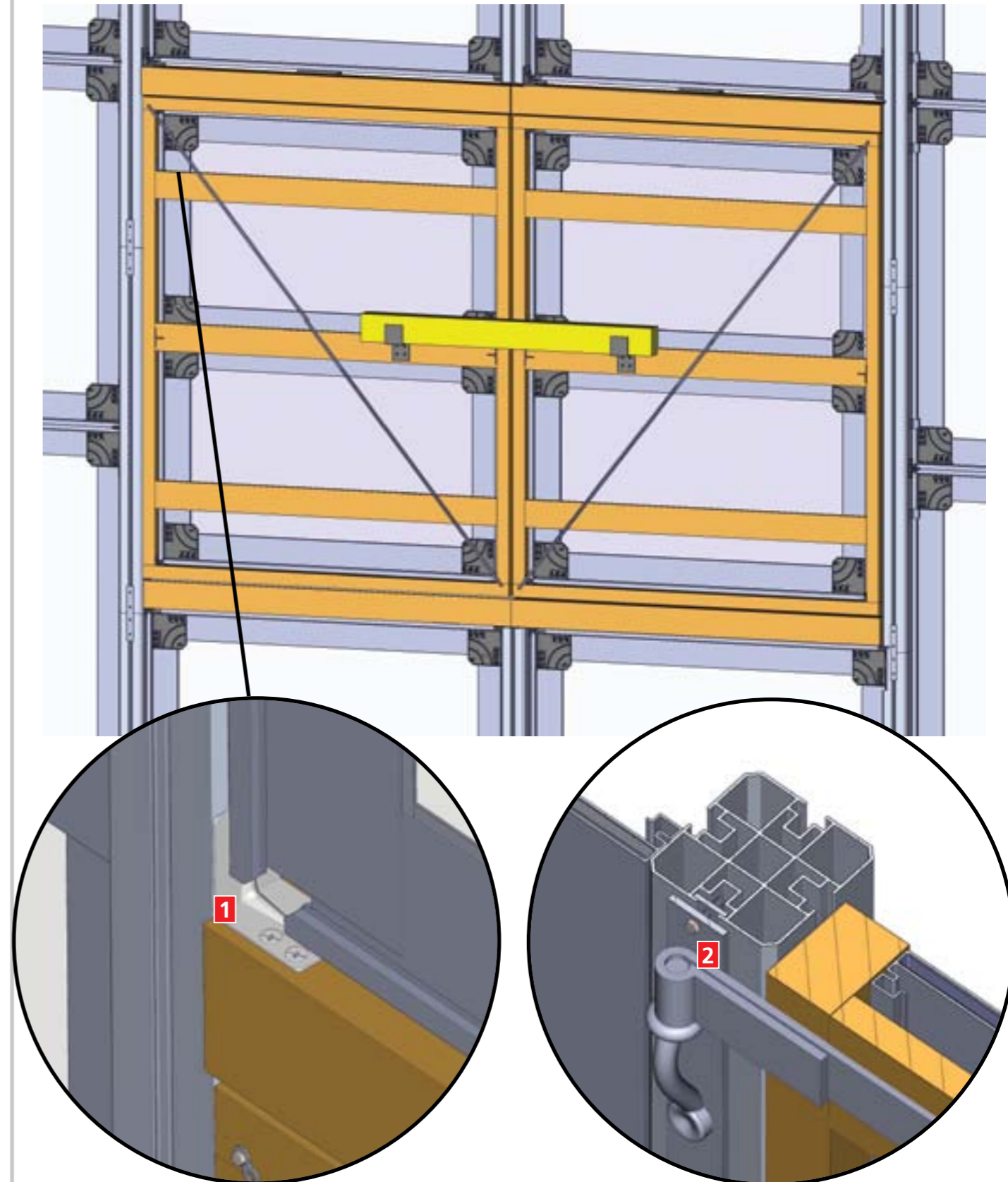
If more than one row of modules are installed, mount rafters vertical between modules.

GATES

Gates can be built using strap hinges **1** and perforated hanger straps **2**. Tar paper **3** can be used for air seal. Use scaffold forks **4** to integrate with scaffold structures.

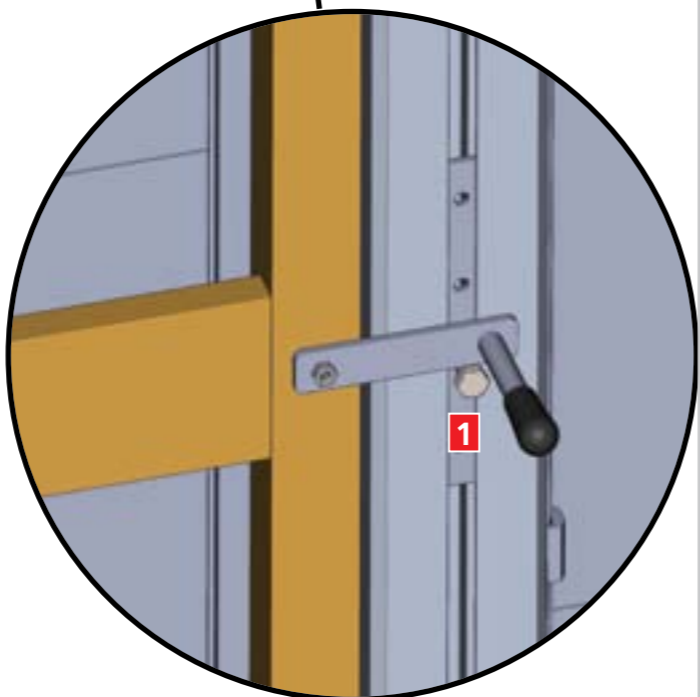
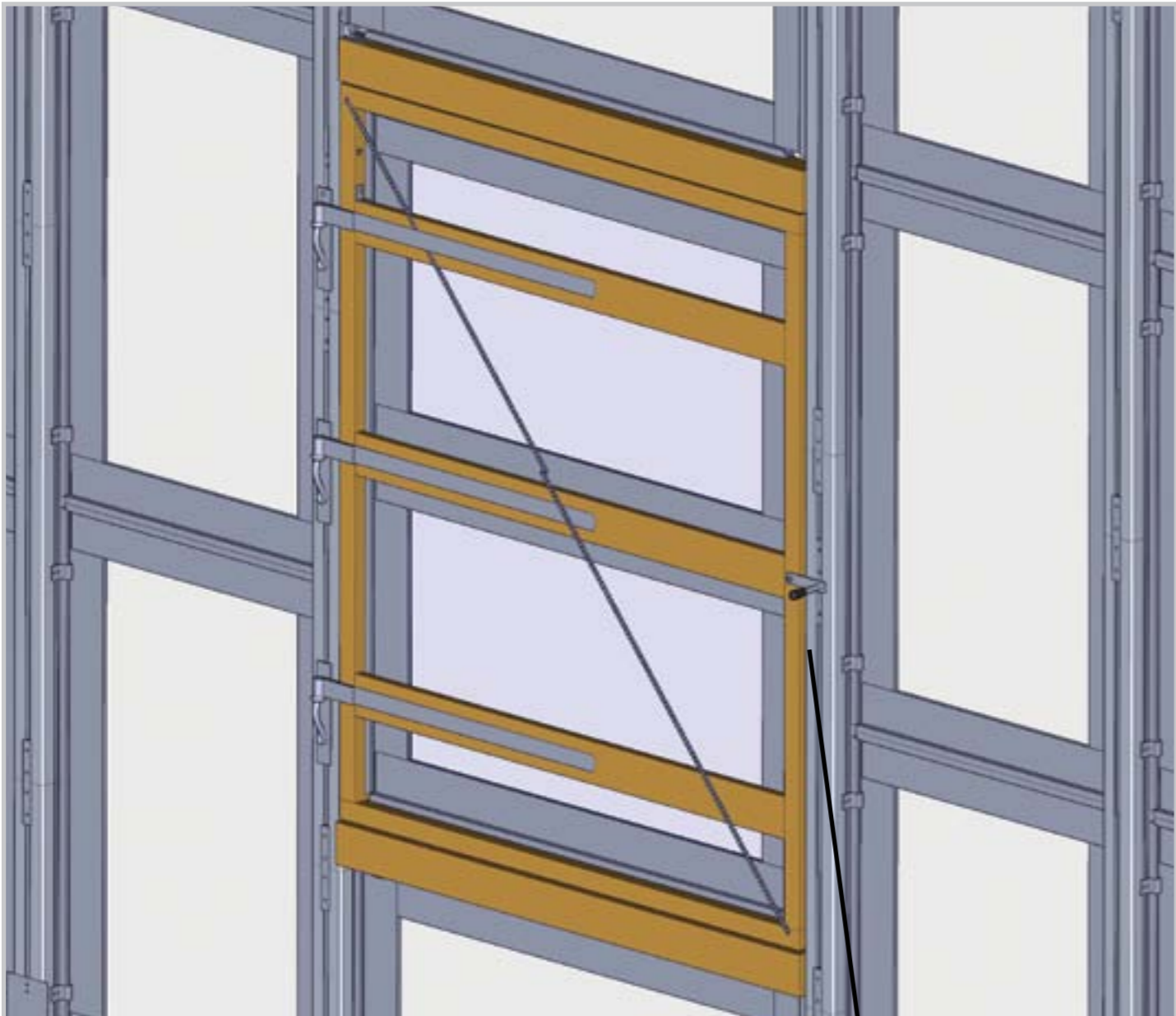


Gates can also be mounted in S-profiles.



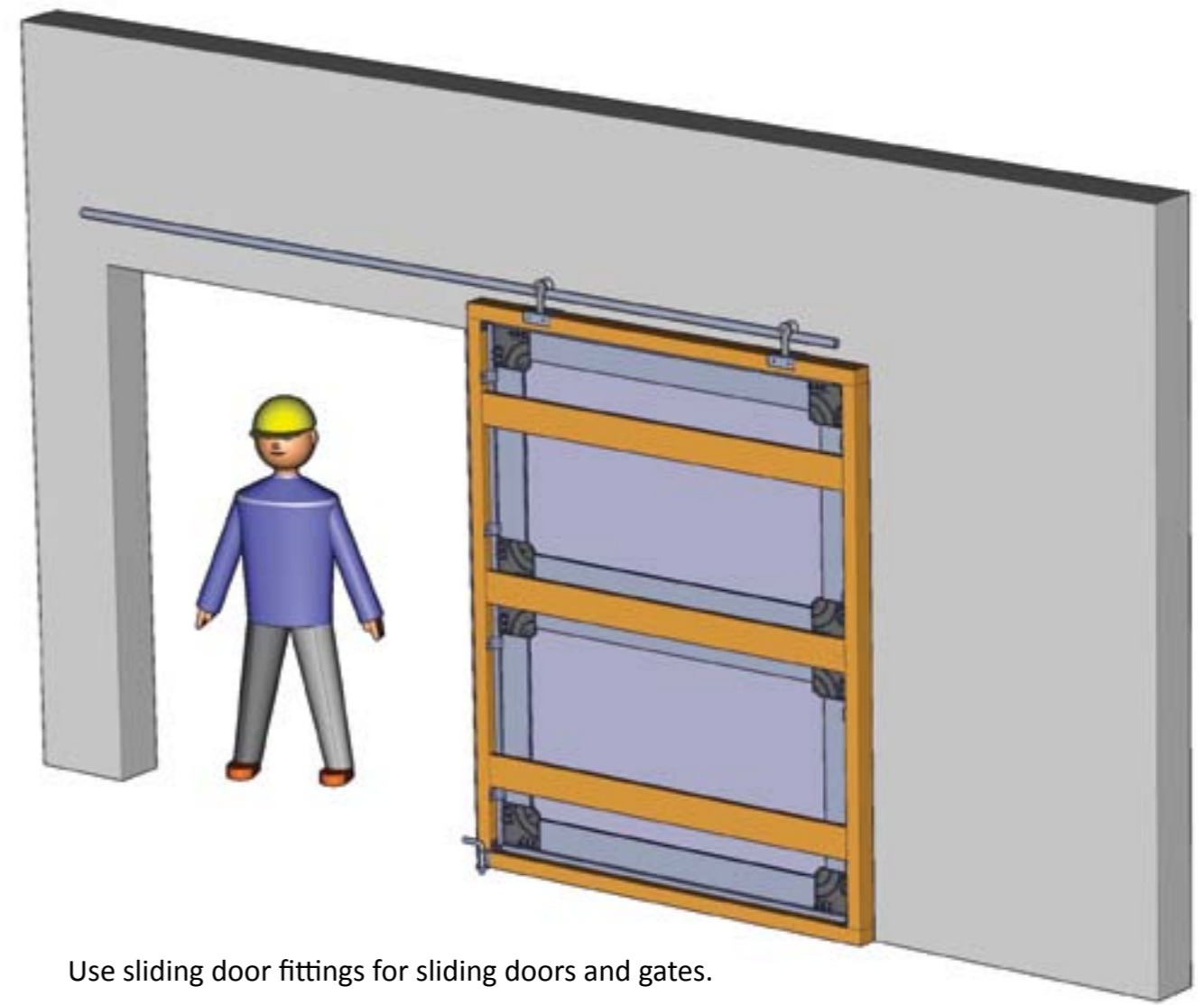
Timbers can be mounted using mounting angles **1**.

Strap hinges **2**, can be mounted in S-profiles.



When building single ports, lock handle can be used. Mount a bolt **1** in S-profile to secure the handle.

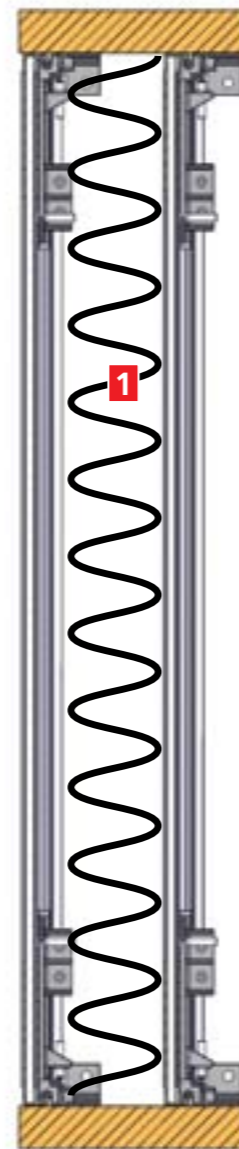
SLIDING DOORS



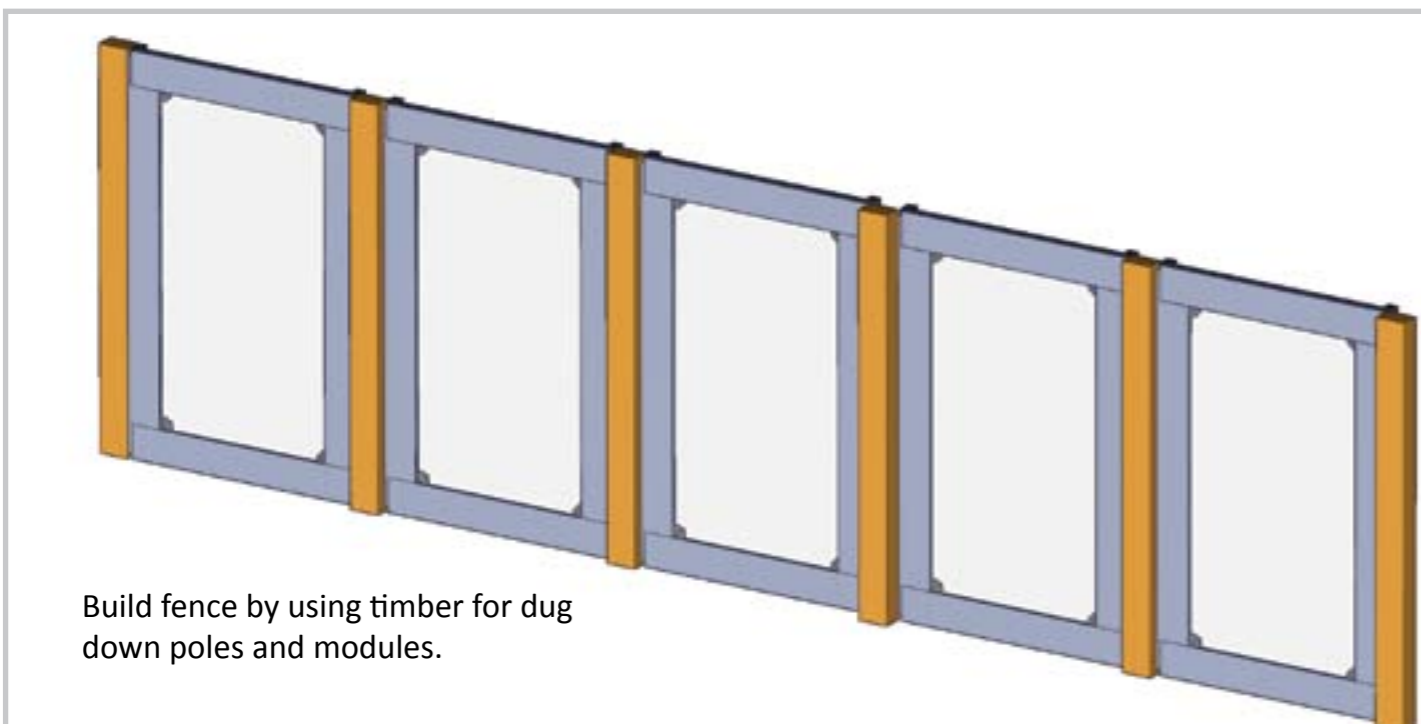
Use sliding door fittings for sliding doors and gates.

INSULATION

Double modules filled with insulation material can be used for acoustic insulation **1**, dust walls or extra heat insulation. It's possible to use insulation in conjunction with Altiflex doors.



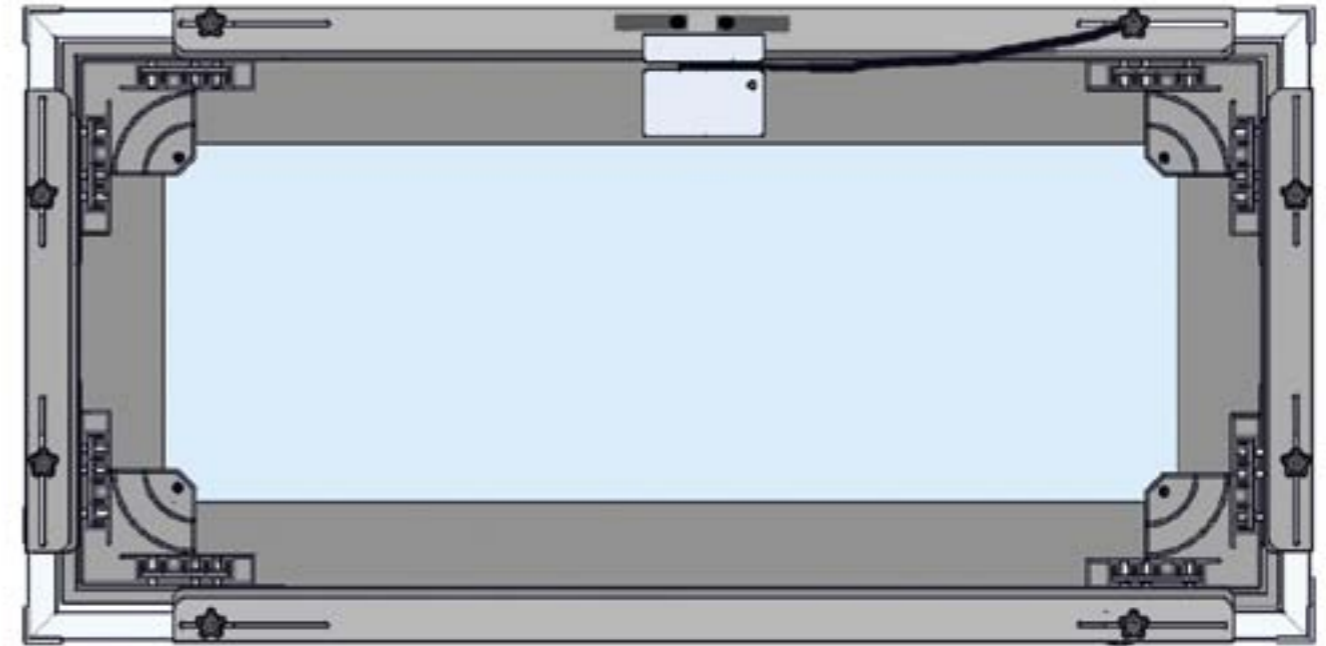
CONSTRUCTION SITE FENCE



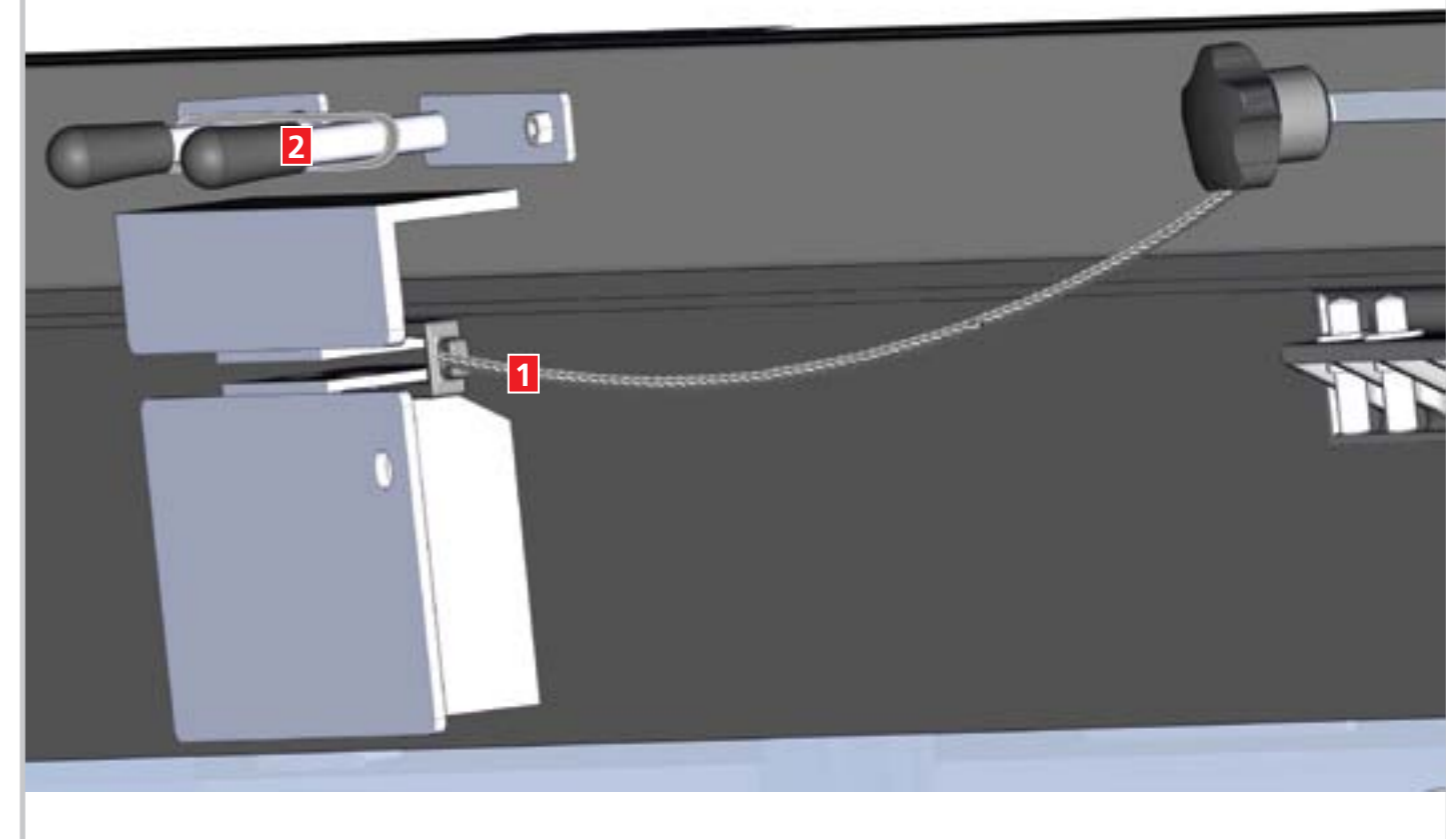
Build fence by using timber for dug down poles and modules.

SMOKE HATCH

IMPORTANT: Always observe and follow local safety regulations when constructing safety structures.



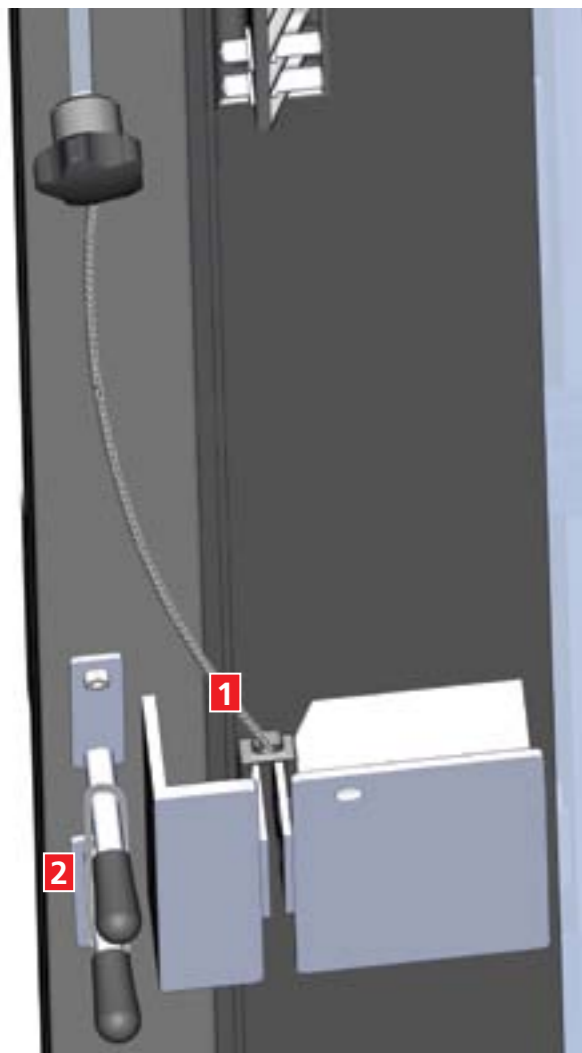
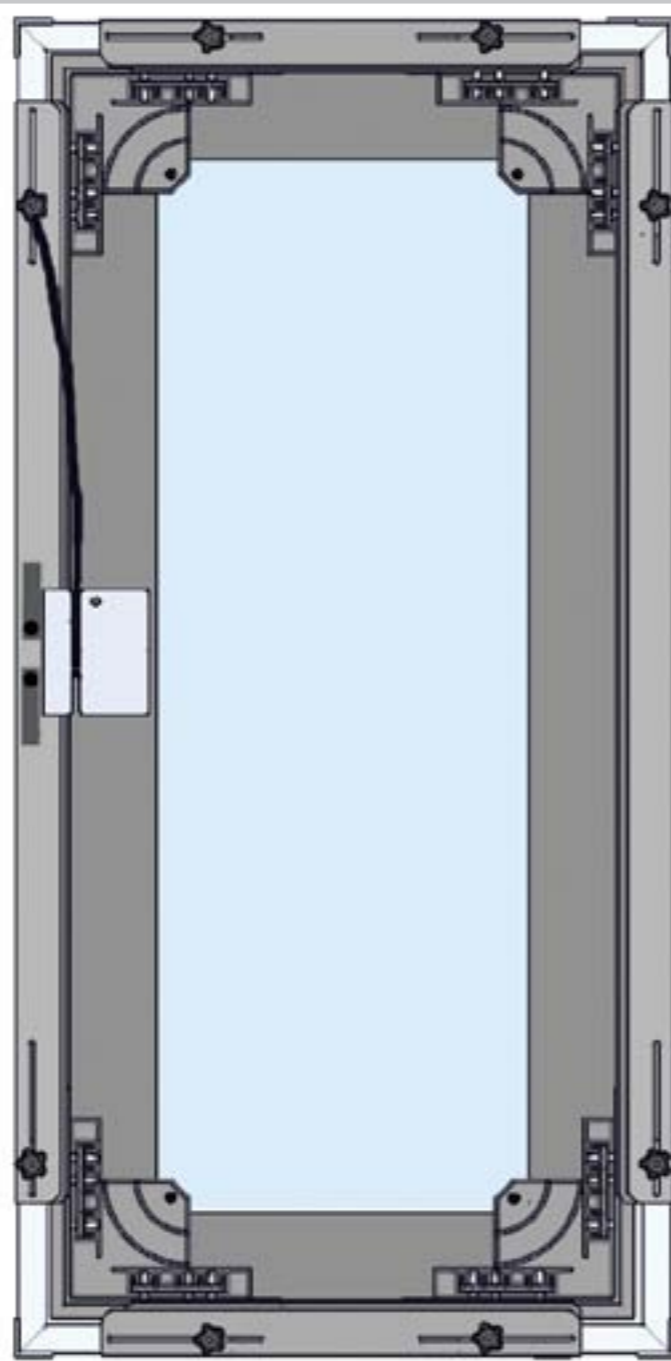
Smoke hatches must be mounted horizontal. Secure with safety lock pin and chain to thumb screw **1**. Secure handles with strips **2**.



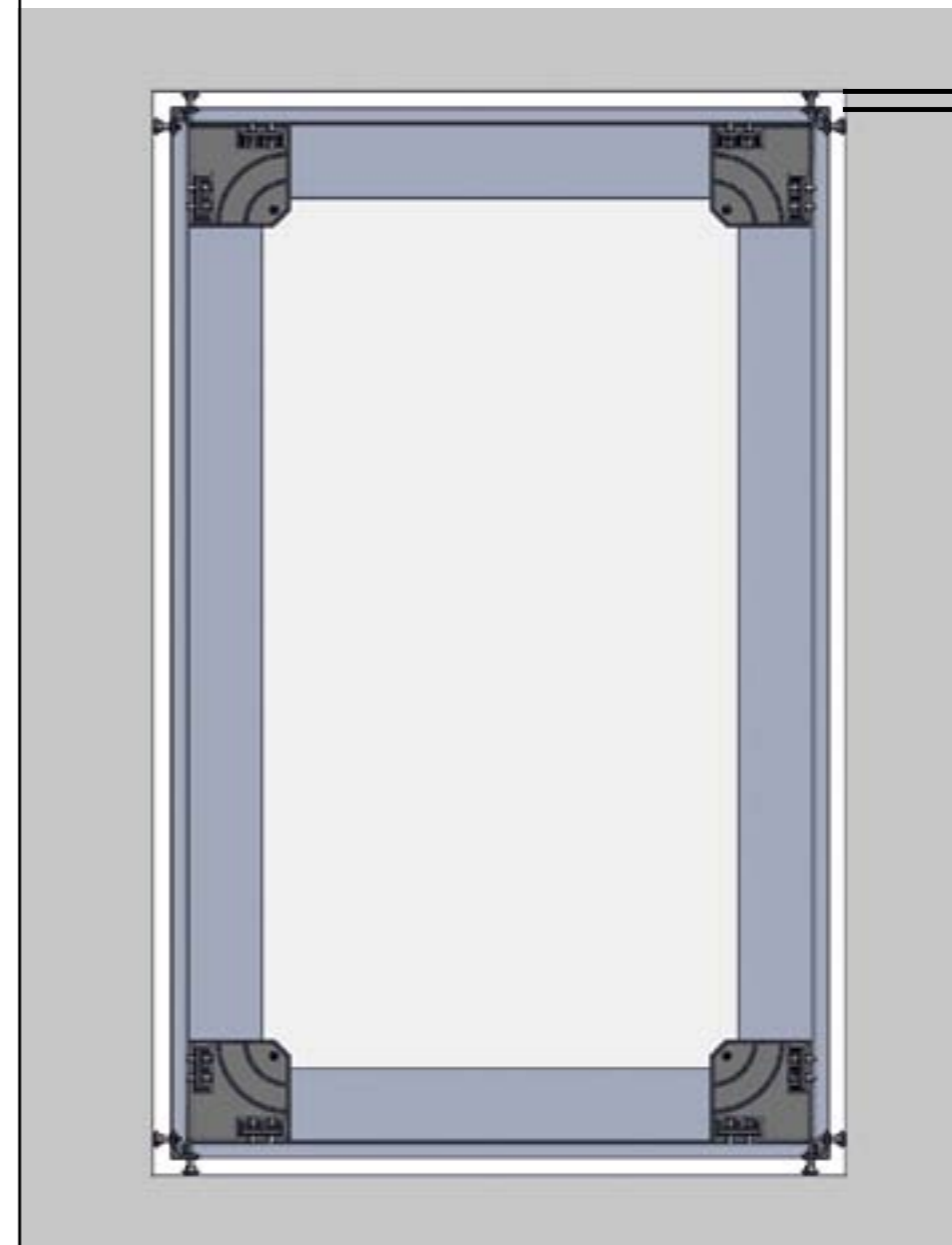
EMERGENCY EXITS

IMPORTANT: Always observe and follow local safety regulations when constructing safety structures.

Emergency exits must be secured with safety lock pin and chain to thumb screw **1**. Secure handles with strips **2**.



PROTECTION OF EXISTING WINDOWS

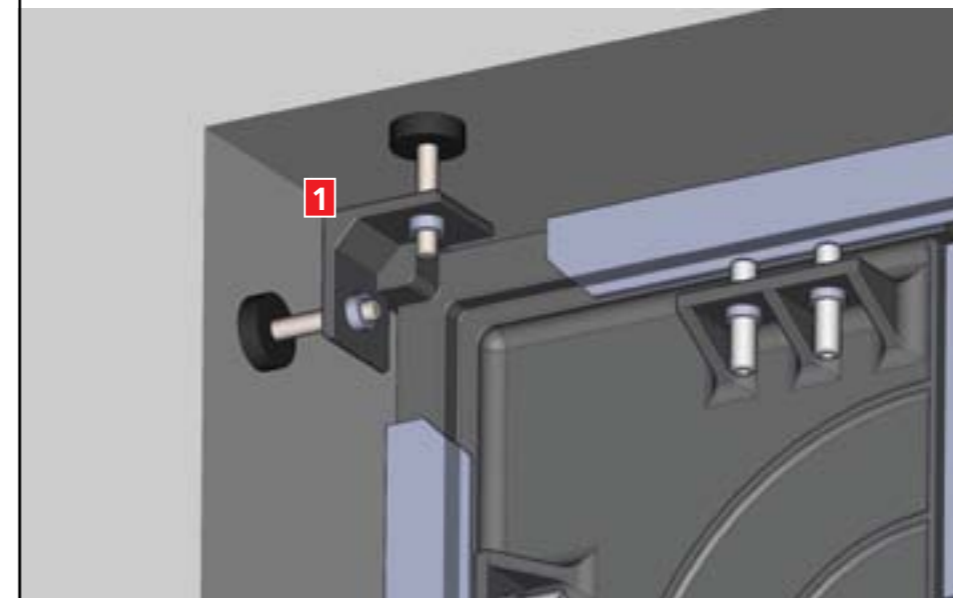


~15 mm

Altiflex modules can be used as protection for existing permanent windows. Mount leveling pads in all corners of module.

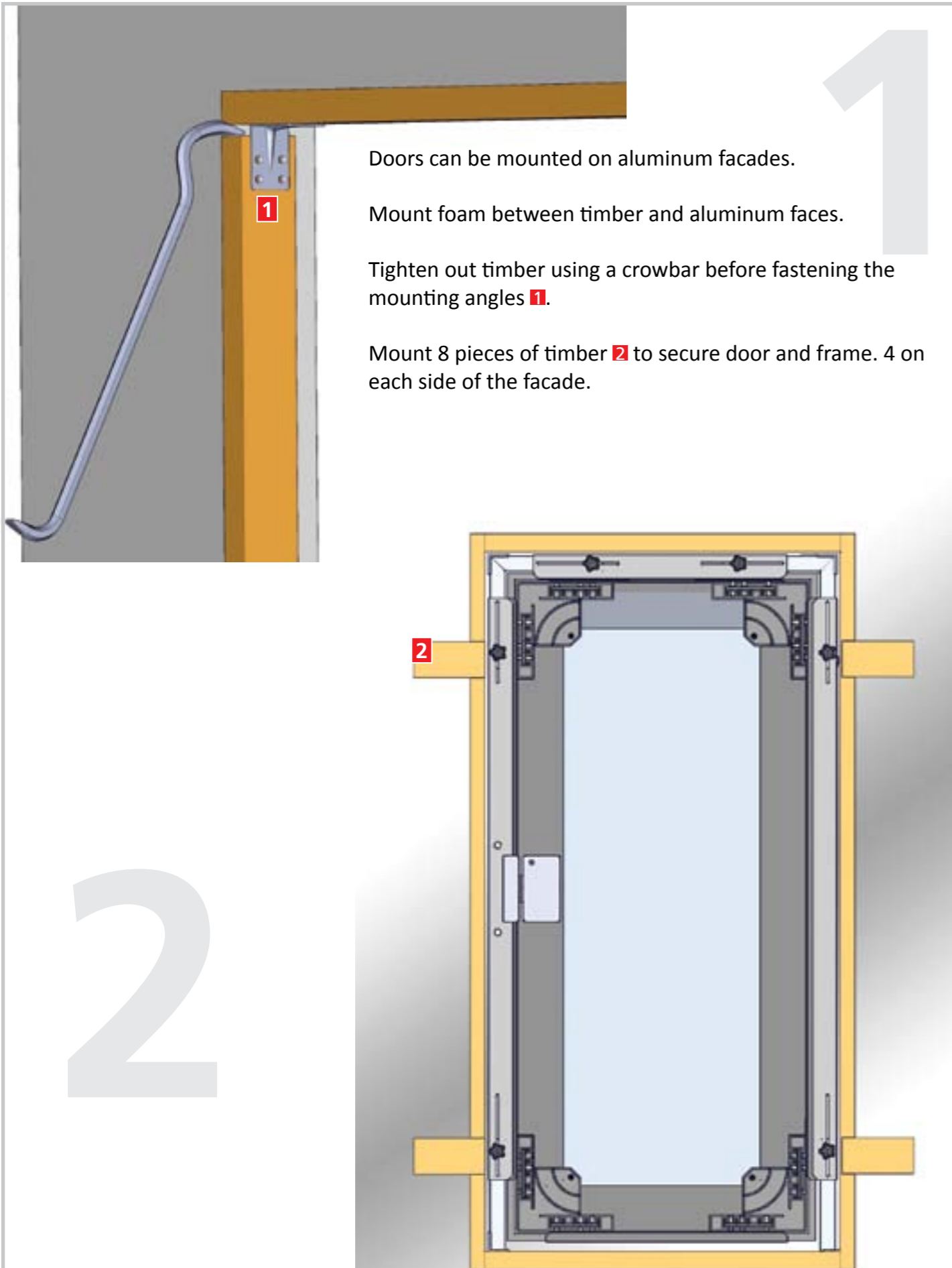
Adjust the module so it is about 15 mm smaller in height and width than the mounting opening.

Tighten all profile screws.

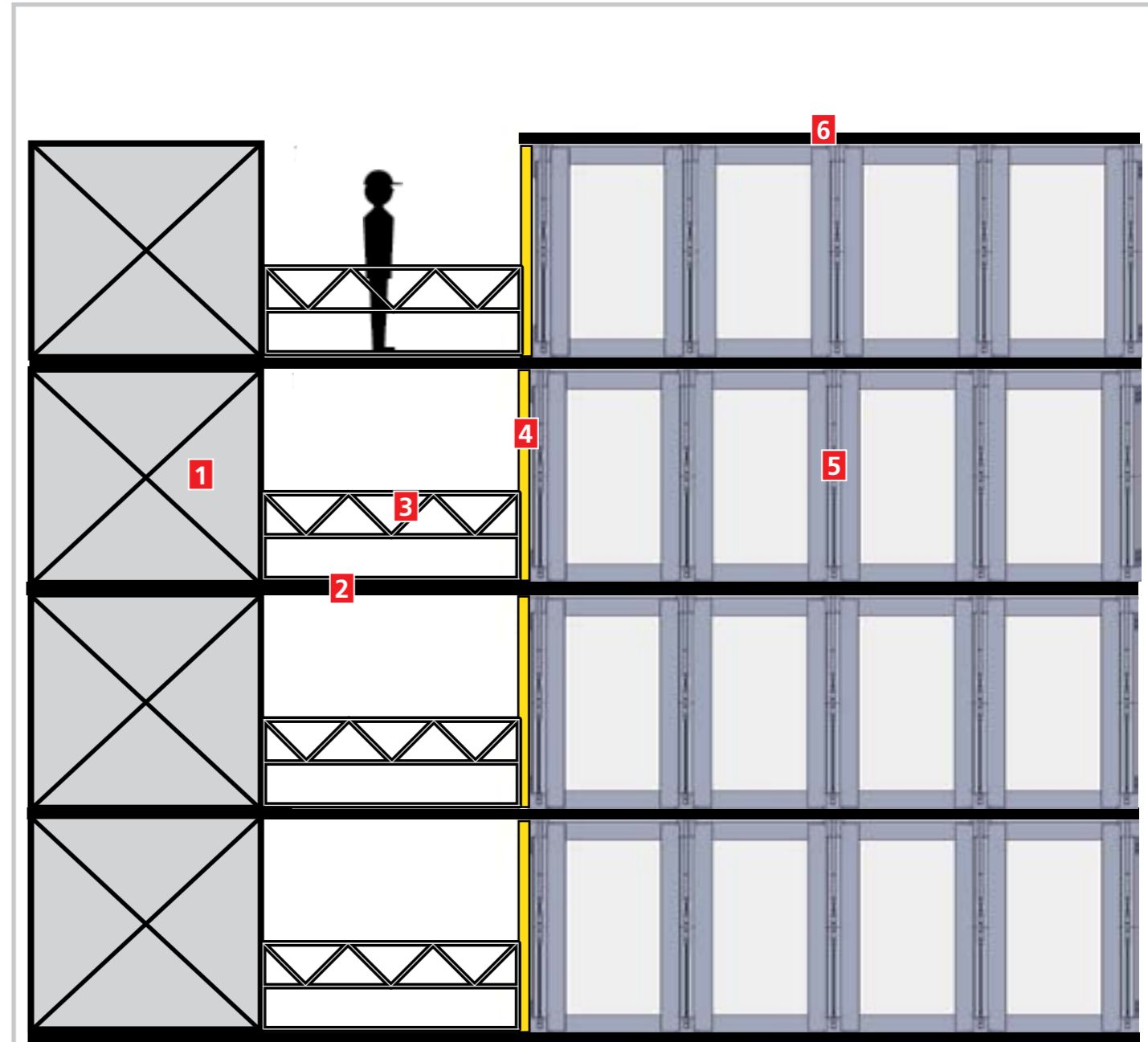


Tighten all leveling pads **1** so the module sits secure in the mounting opening. Tighten gaps with foam.

ALUMINUM FACADES



STORAGE TOWER



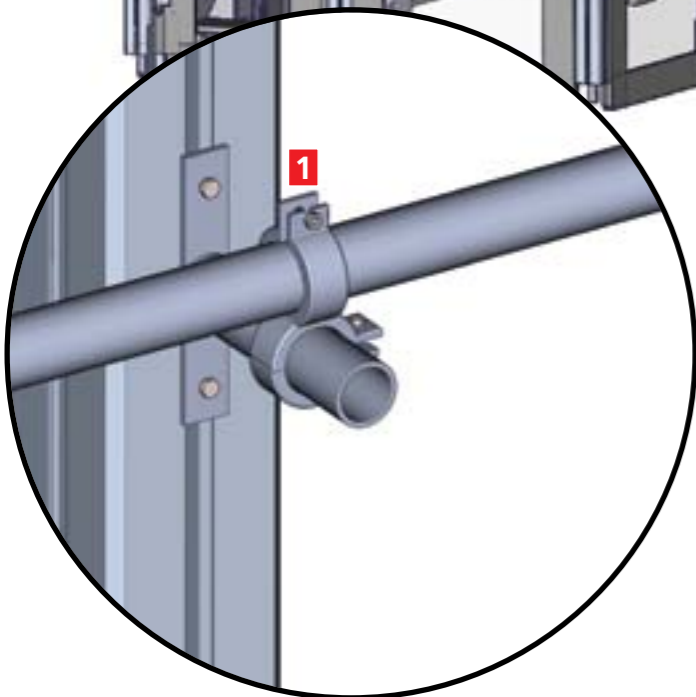
Storage tower with:

- 1** Lift
- 2** Platforms
- 3** Safety fence
- 4** Doors
- 5** Storage rooms
- 6** Roof

FIRST FLOOR SECURITY

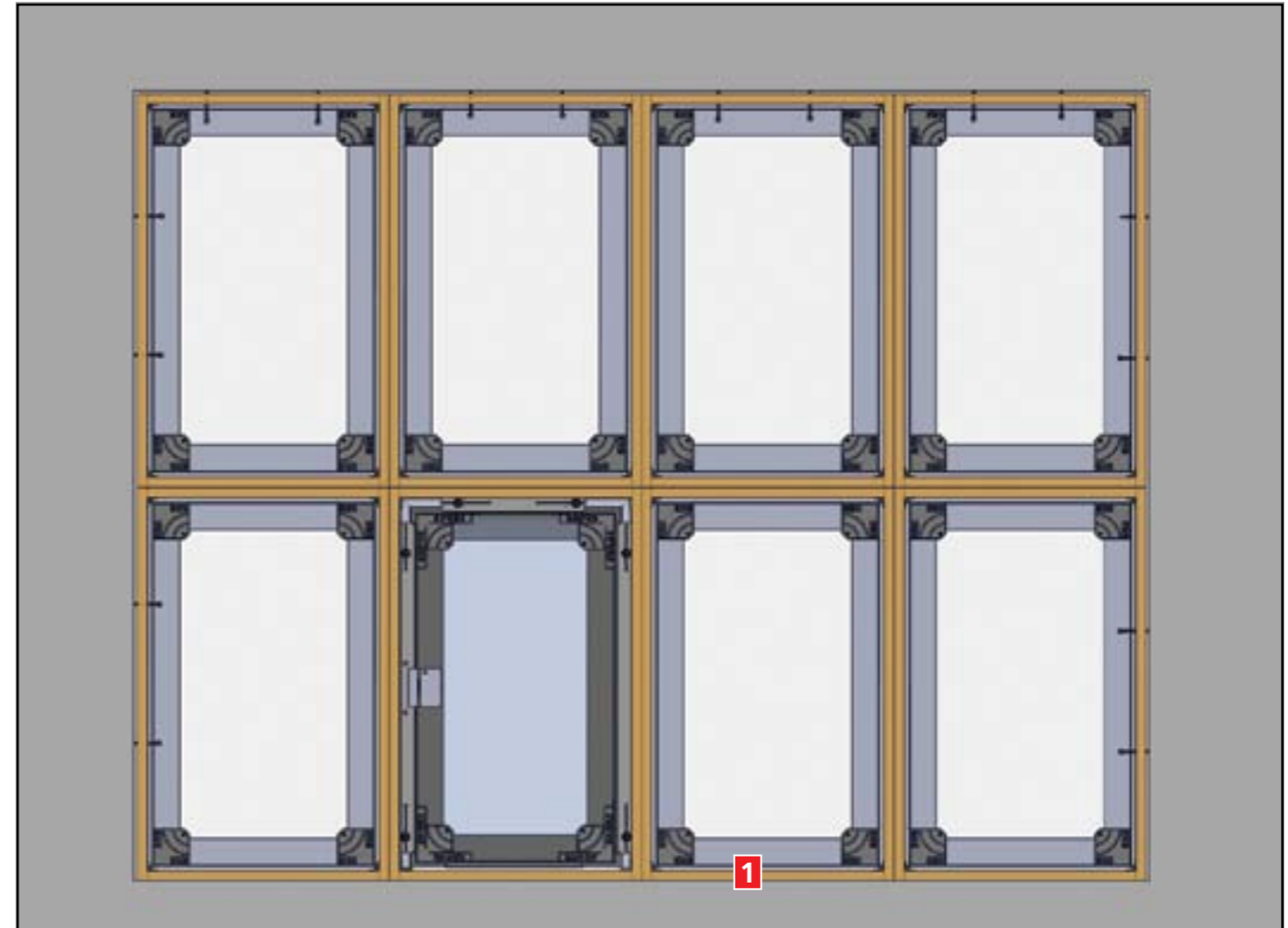


First floor and above can be secured against intruders using modules.

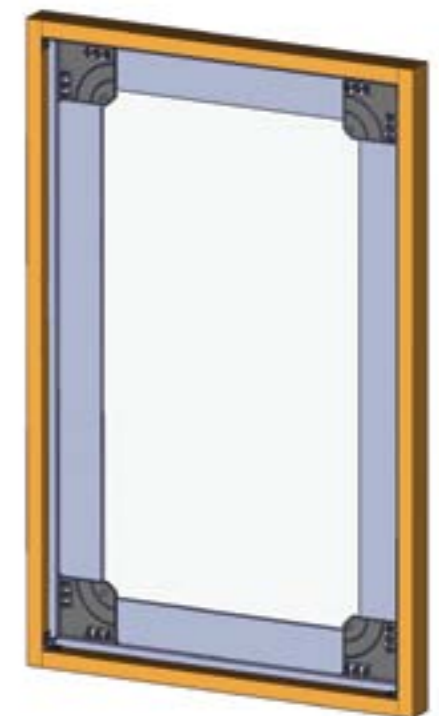


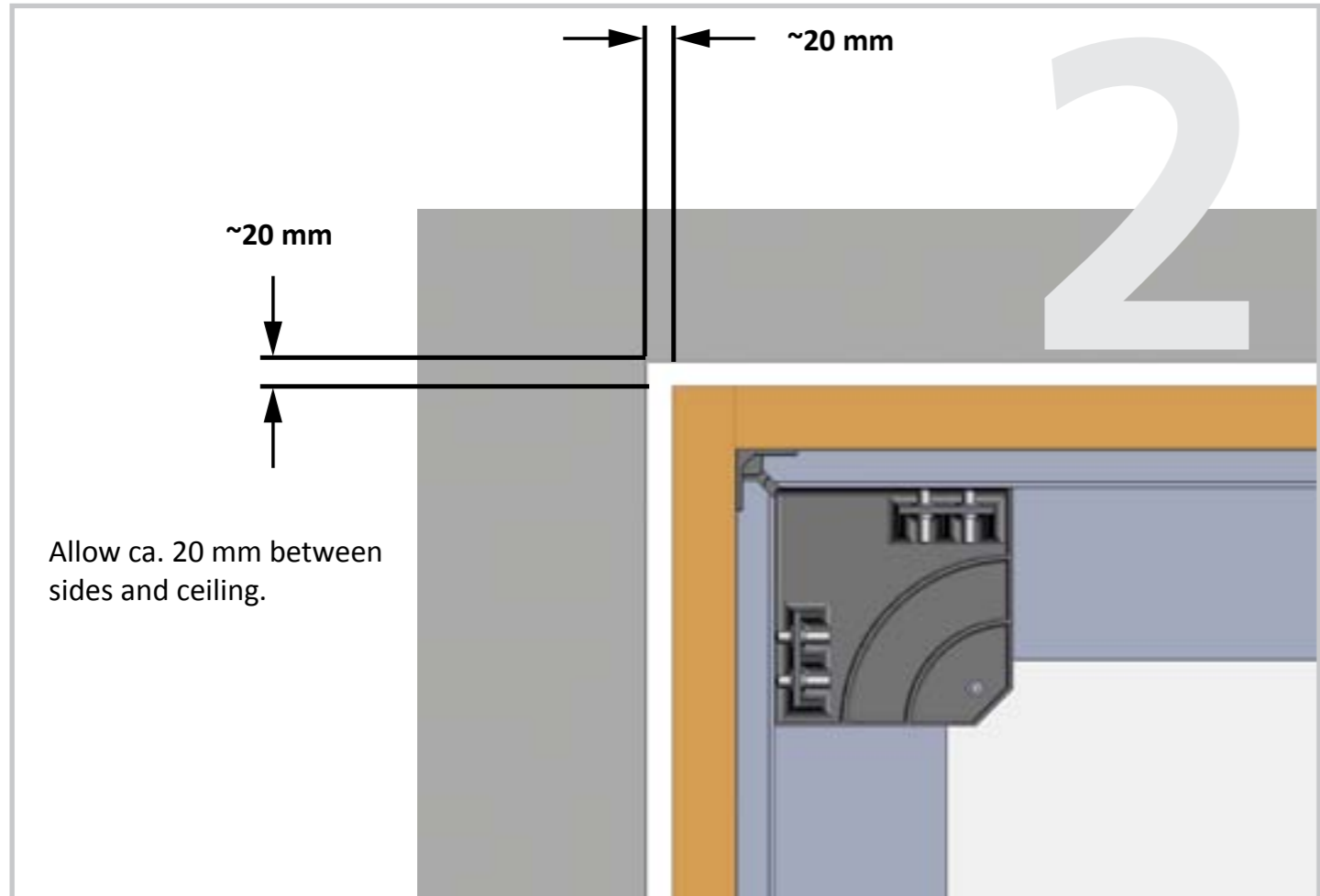
S-profiles and scaffold structures can be integrated using tube brackets 1.

DUST WALLS

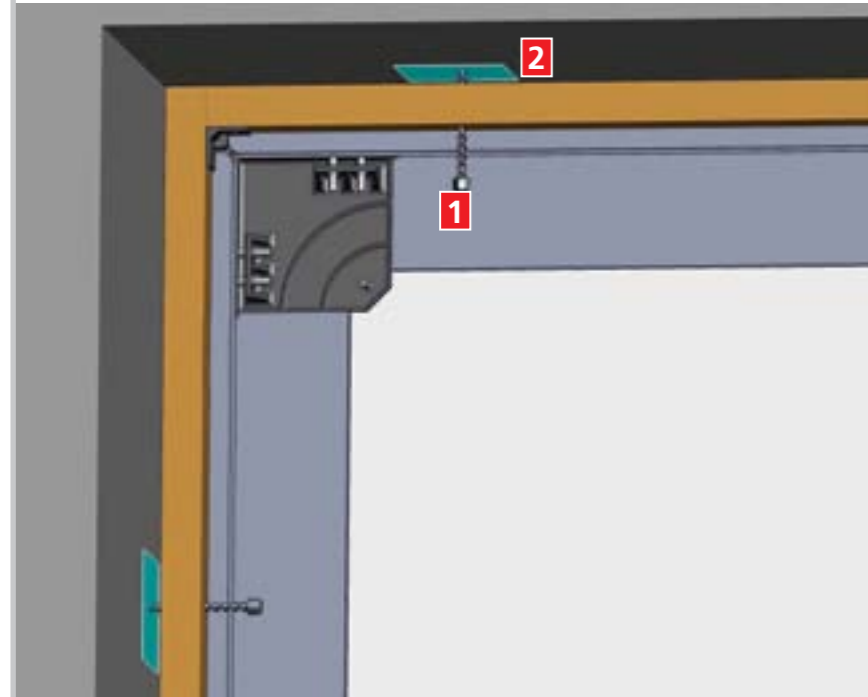


Dust walls can be built using 2x4" timber, modules and doors. Build the individual timber and modules at the workshop. Assemble the dust wall with screws. Use foam plate 1 under dust wall to protect floor.

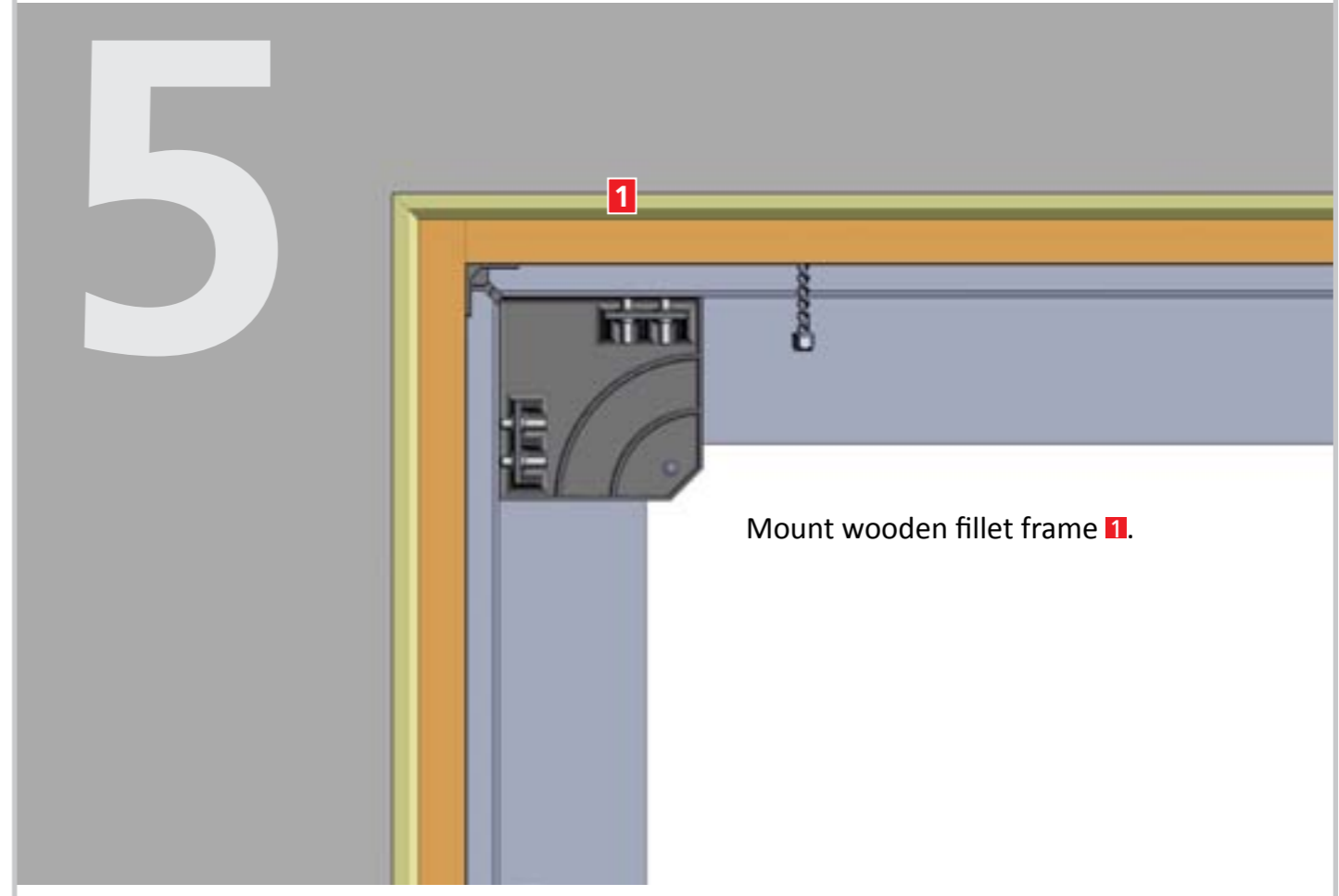
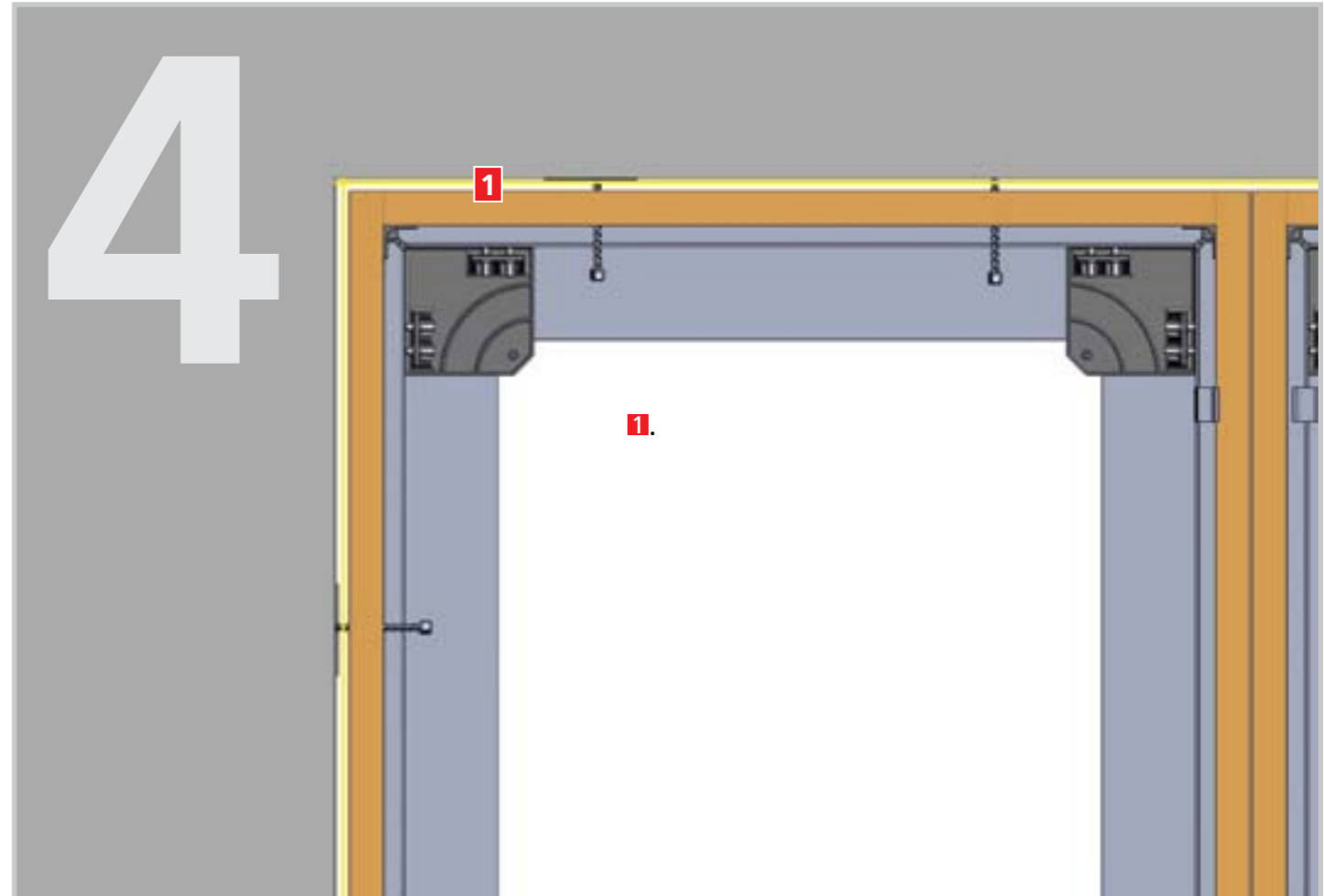




Allow ca. 20 mm between sides and ceiling.



Using long screws **1**, tighten out dust wall so it's in tension. Use plates **2** to protect the building's walls.



Mount wooden fillet frame **1**.

MODULE OVERVIEW

Side measure min/max cm	a	b	c	d	e	f	g
50/75 cm	Weight: 10/13 *2/3 	Weight: 10/16 *2,5/3,5 	Weight: 13,5/20 *3/4 	Weight: 15,0/24 *3,5/4,5 	Weight: 17,0/27,0 *4/5 	Weight: 18,5/31,0 *4,5/5,5 	Weight: 20,0/34,0 *5/6
75/100 cm		Weight: 13,5/18,0 *3/4 	Weight: 15,5/22,0 *3,5/4,5 	Weight: 17,0/26,0 *4/5 	Weight: 19,0/29,0 *4,5/5,5 	Weight: 20,5/33,0 *5/6 	Weight: 22,5/36,0 *5,5/6,5
100/125 cm			Weight: 17,0/24,0 *4/5 	Weight: 19,0/28,0 *4,5/5,5 	Weight: 21,0/31,0 *5/6 	Weight: 23,0/35,0 *5,5/6,5 	Weight: 24,5/39,0 *6/7
125/150 cm				Weight: 23,5/31,0 *5/6 	Weight: 22,5/34,0 *5,5/6,5 	Weight: 24,5/38,0 *6/7 	Weight: 26,5/42,0 *6,5/7,5
150/175 cm					Weight: 27,5/38,0 *6/7 	Weight: 26,5/41,0 *6,5/7,5 	Weight: 29,0/45,0 *7/8
175/200 cm						Weight: 35,0/43,0 *7/8 	Weight: 31,0/47,0 *7,5/8,5
200/225 cm							Weight: 33,0/50,0 *8/9

* Circumference in meters.
Weight in kg windows/doors

Side measure min/max cm	h	i
90/115 cm	Weight: 36,0 *4,5/5,5 	Weight: 39,5 *5/6
190/215 cm	Weight: 38,5 *5/6 	Weight: 43,5 *5,5/6,5

LOAD DIMENSIONING

TABLE 1

Terrain Class I
At building corners

Height mm	Maximum distance between vertical studs (m) - maximal distance 2.2 m and indication of joint type			
	2" x 4" distance (m) joint	2" x 6" distance (m) assembly	2" x 8" distance (m) assembly	2" x 10" distance (m) assembly
2500	0,53 T2/2/1	1,24 T2/2/1	2,20 T1/4/2+	2,20 T1/4/2+
3000	-	0,86 T2/2/1	1,56 T1/3/2	2,20 T1/5/2+
3500	-	0,63 T2/2/1	1,15 T1/3/2	1,81 T1/5/2+
4000	-	-	0,88 T1/3/2	1,38 T1/4/2+
4500	-	-	0,69 T2/2/1	1,09 T1/4/2+
5000	-	-	0,56 T2/2/1	0,89 T1/3/2
5500	-	-	-	0,73 T1/3/2
6000	-	-	-	0,62 T1/3/2

+) Number of screws in the flange is too large. Max 3 on each side of body

TABLE 2

Terrain Class I
Building corners (attachment performed in a distance of 8 meters from the building corner)

Height mm	Maximum distance between vertical studs (m) - maximal distance 2.2 m and indication of assembly type			
	2" x 4" distance (m) assembly	2" x 6" distance (m) assembly	2" x 8" distance (m) assembly	2" x 10" distance (m) assembly
2500	-	0,98 T2/2/1	1,77 T1/4/2+	2,20 T1/4/2+
3000	-	0,68 T2/2/1	1,23 T1/3/2	1,95 T1/5/2+
3500	-	0,50 T2/2/1	0,91 T1/3/2	1,43 T1/5/2+
4000	-	-	0,69 T1/3/2	1,09 T1/4/2+
4500	-	-	0,55 T2/2/1	0,86 T1/4/2+
5000	-	-	-	0,70 T1/3/2
5500	-	-	-	0,58 T1/3/2
6000	-	-	-	0,50 T1/3/2

*) Supplied with a Würth 4,5 mm screw in each corner

+) Number of screws in the flange is too large. Max 3 on each side of body

TABLE 3

Terrain Class II-IV
At building corners

Height mm	Maximum distance between vertical studs (m) - maximal distance 2.2 m and indication of assembly type			
	2" x 4" distance (m) assembly	2" x 6" distance (m) assembly	2" x 8" distance (m) assembly	2" x 10" distance (m) assembly
2500	0,61 T2/2/1	1,41 T2/2/1	2,20 T1/4/2+	2,20 T1/4/2+
3000	-	0,98 T2/2/1	1,78 T1/3/2	2,20 T1/4/2+
3500	-	0,72 T2/2/1	1,30 T1/3/2	2,06 T1/5/2+
4000	-	0,55 T2/2/1	1,00 T1/3/2	1,58 T1/4/2+
4500	-	-	0,79 T2/2/1	1,25 T1/4/2+
5000	-	-	0,64 T2/2/1	1,01 T1/3/2
5500	-	-	0,53 T2/2/1	0,83 T1/3/2
6000	-	-	-	0,70 T1/3/2

+) Number of screws in the flange is too large. Max 3 on each side of body

TABLE 4

Terrain Class II-IV
Building corners (attachment performed in a distance of 8 meters from the building corner)

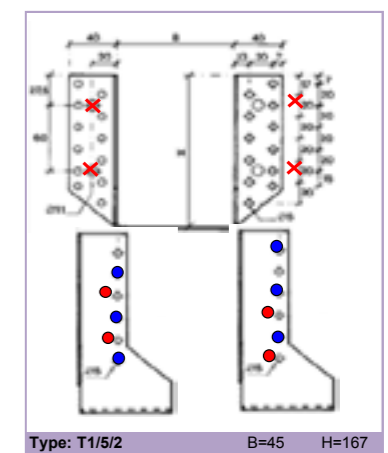
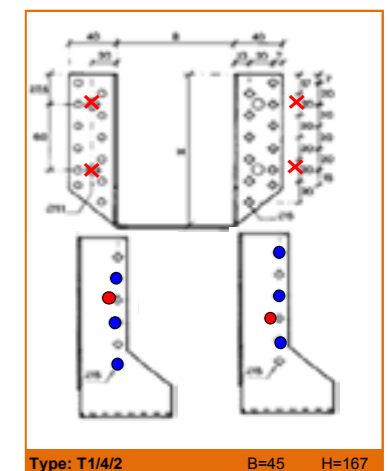
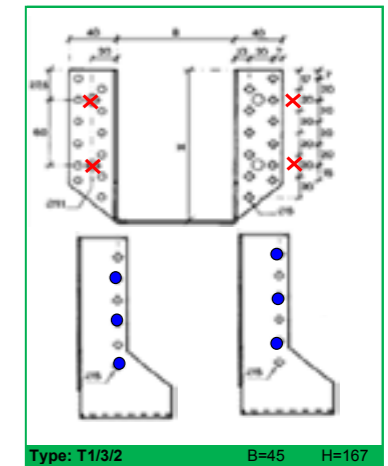
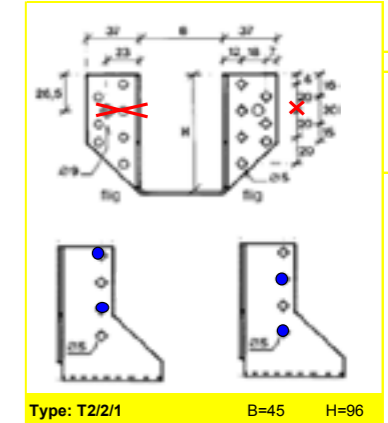
Height mm	Maximum distance between vertical studs (m) - maximal distance 2.2 m and indication of assembly type			
	2" x 4" distance (m) assembly	2" x 6" distance (m) assembly	2" x 8" distance (m) assembly	2" x 10" distance (m) assembly
2500	0,50 T2/2/1	1,12 T2/2/1	2,02 T1/4/2+	2,20 T1/4/2+
3000	-	0,78 T2/2/1	1,40 T1/3/2	2,20 T1/4/2+
3500	-	0,57 T2/2/1	1,03 T1/3/2	1,63 T1/5/2+
4000	-	-	0,79 T1/3/2	1,25 T1/4/2+
4500	-	-	0,62 T2/2/1	0,98 T1/4/2+
5000	-	-	0,51 T2/2/1	0,80 T1/3/2
5500	-	-	-	0,66 T1/3/2
6000	-	-	-	0,55 T1/3/2

*) Supplied with a Würth 4,5 mm screw in each corner

+) Number of screws in the flange is too large. Max 3 on each side of body

- ✗ Hilti HUS-H8 (8mm) skrue
- 4,5 mm Würth screw
- 4,5 mm Würth screw in extra hole drilled in steel brackets

Assembly types



Altiflex ApS
Nordholmen 10-12
DK 2650 Hvidovre.
Tlf: +45 44242284.
www.altiflex.dk,
info@altiflex.dk